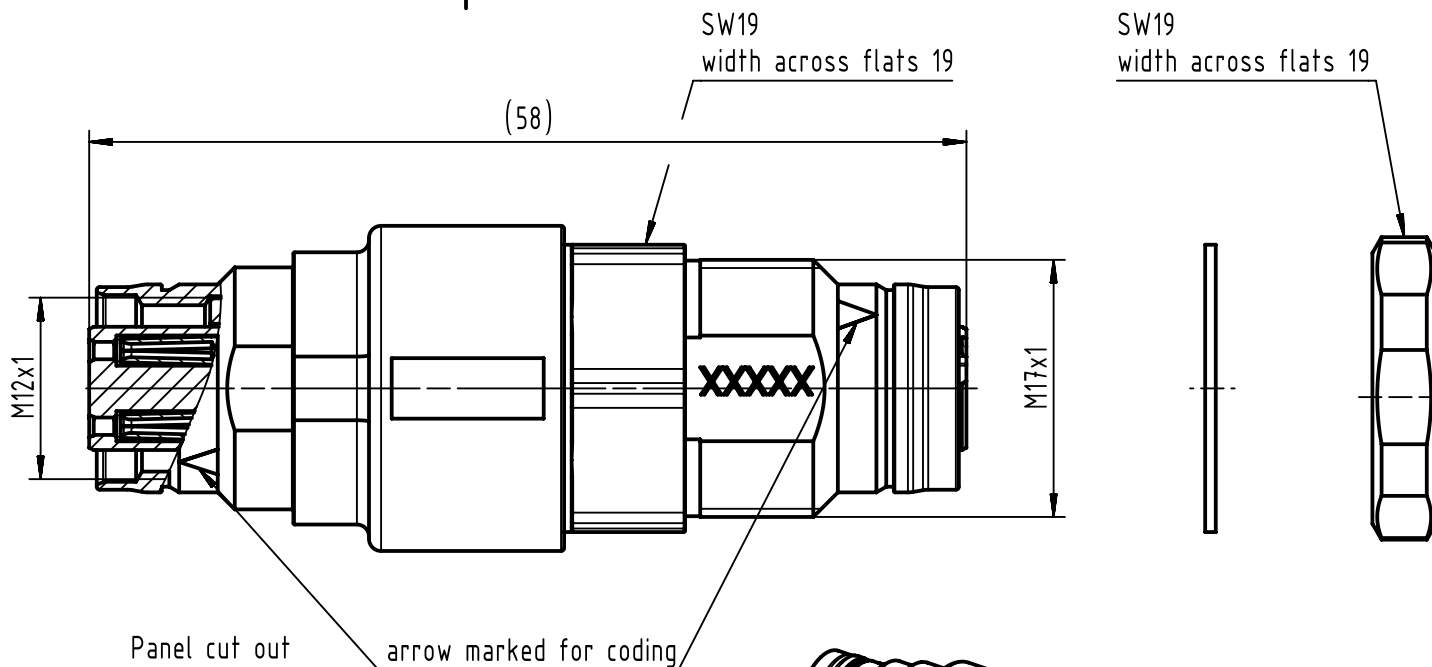
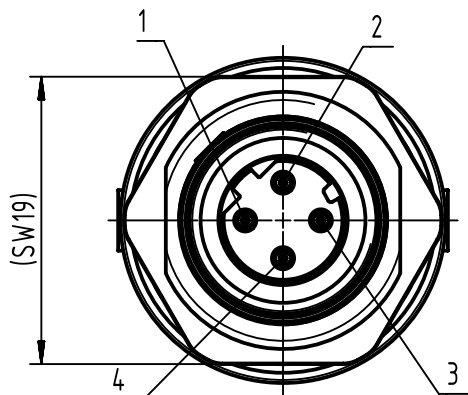


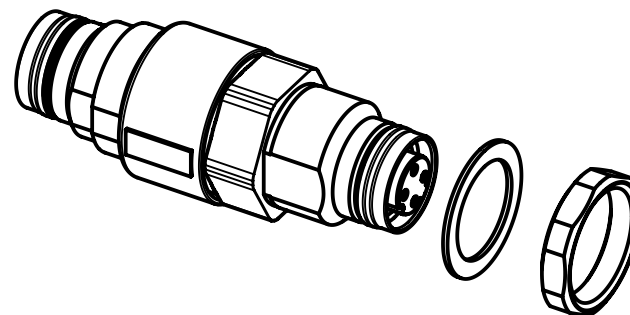
contact face D-coded acc.
to IEC 61076-2-101

without flat seal and nut

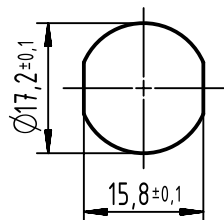
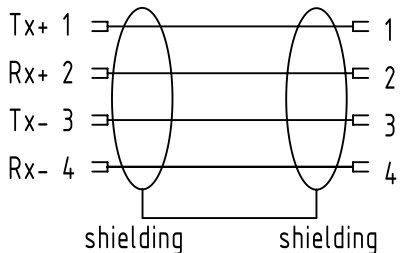


Panel cut out
(1:1)

arrow marked for coding



schematic diagram



	All rights reserved Department EC PD - RO HARTING Electronics GmbH D-32339 Espelkamp	All Dimensions in mm Original Size DIN A4		Scale 2:1	Free size tol.	Ref. Sub.
		Created by STOICA	Inspected by AVRAM	Standardisation HOFFMANN	Date 2017-04-27	State Final Release
Title M12 Gender Changer with PushPull D-coded female					Doc-Key / ECM-Nr. 100649372/UGD/021/E 500000118592	
Type TB			Number 21033816403		Rev. E	Page 1/1