

7312P002XA13LF

Durability
 4: 50000 Mating Cycles
 5: 100000 Mating Cycles

DESCRIPTION
 Connector especially designed for SMT technology
 EMV compatible and in accordance with ISO 7816-2

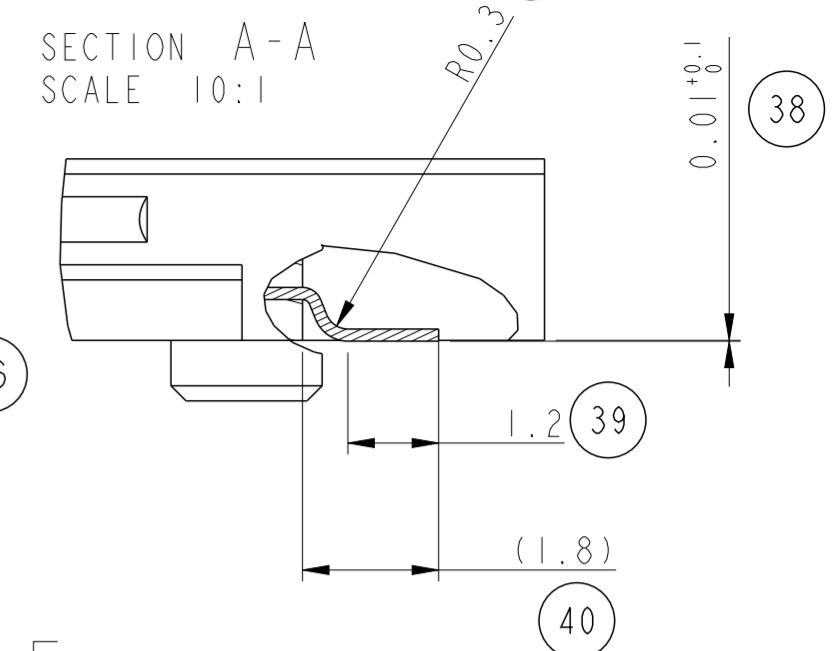
MECHANICAL
 Contacts force : between 0.2N-0.5N
 Insertion force : 10N max
 Extraction force : 3N min

ELECTRICAL
 Insulation resistance : 1000MOhms
 Dielectric withstand voltage between card contacts
 and detection switch : 1000 Vrms
 Contact resistance: 100mOhms
 Current carrying : min 10 microA max 1A

SWITCH
 Contact closed : contact resistance 100mOhms
 Open contact : voltage proof 300Vms

MATERIAL
 Contacts : copper alloy
 Plating : Gold / Equivalent PdNi over Nickel on contact area
 Solder tails : Sn bare edge allowed
 Housing : self extinguishing, Thermoplastic
 UL94-V0 rated

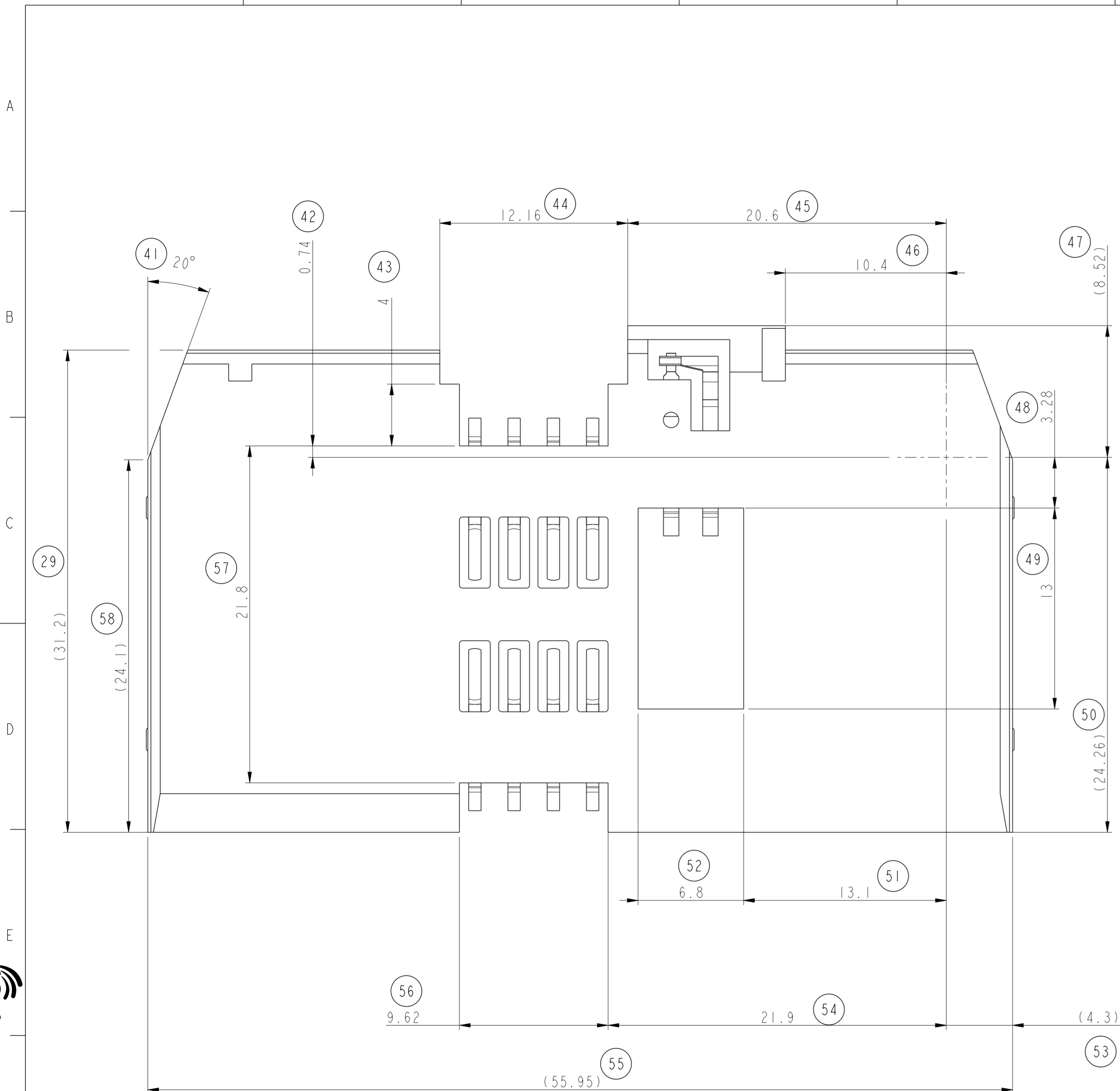
ENVIRONMENT
 Storage temperature : -40°C, +85°C
 Operating temperature : -20°C, +70°C
 Packaging : Tray
 Compatible reflow soldering process



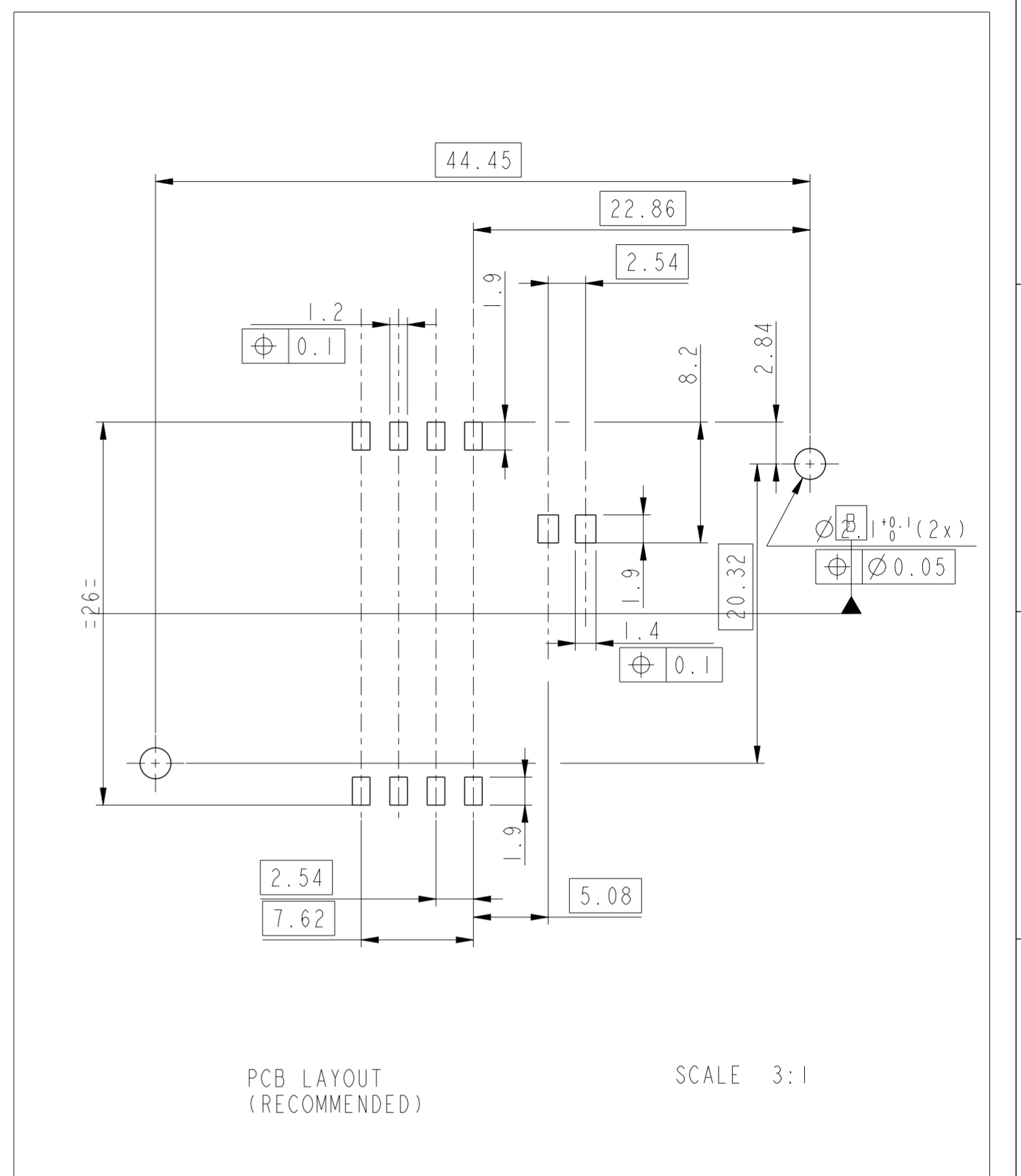
rev	ecn no	dr	date
A	F20307	-	02/04/30
B	LS2038	PRI	02/06/10
C	LS05-0047	LGO	05/06/08
D	LS05-0059	HLE	05/06/30
E	LS06-0206	HLE	2006/12/11
F	109-0239	RPK	2009/10/30

www.fciconnect.com		surface	tolerance std	projection	mm
		ISO 1302	ISO 406 ISO 1101		
TOLERANCES UNLESS OTHERWISE SPECIFIED					
Dr	BERNARDET	96/08/23	ANGULAR	0.X ±0.3	size A2 Scale 3:1
Eng	GAMACHO	96/08/23	LINEAR	0.XX ±0.1	
Chr	CAILLER	96/08/23	0° ±2°	0.XXX ±0.05	ECN 109-0239
Appr	GAMACHO	96/08/23	Product family MOBILE I/O		Spec ref --
FCJ CHIP CARD CONNECTOR			VJW53664		Rev. F
TYPE : P00 (8cts without cover)			CUSTOMER		sheet 1 of 2
catalog no 7312P0025A13					

Copyright FCJ



LAYOUT FOR KEEP OUT ZONE
(CONNECTOR SIDE)



PCB LAYOUT
(RECOMMENDED) SCALE 3:1

NOTE: RoHS INFORMATIONS

- The "LF" products meet European Union Directives and other country regulations as described in GS-22-008.
- The housing will withstand exposure to 260°C peak temperature for 30 seconds in a convection, infra-red or vapor reflow oven. See Application notes/procedures, if they are available.
- Packaging spec: see GS-14-920

Copyright FCI.
FCI

www.fciconnect.com		surface -- ✓	tolerance std	projection	mm
		ISO 1302	ISO 406 ISO 1101		
TOLERANCES UNLESS OTHERWISE SPECIFIED					
Dr	BERNARDET	96/08/23	ANGULAR	0.X ±0.3	size A2 Scale 5:1
Eng	GAMACHO	96/08/23	LINEAR	0.XX ±0.1	
Chr	CAILLER	96/08/23	0° ±2°	0.XXX ±0.05	ECN 109-0239
Appr	GAMACHO	96/08/23	Product family	MOBILE I/O	Spec ref --
FCI		TITLE CHIP CARD CONNECTOR		dwg no VJW53664	Rev. F
		TYPE : P00 (8cts without cover)		CUSTOMER sheet 2 of 2	
		catalog no 7312P0025A13			