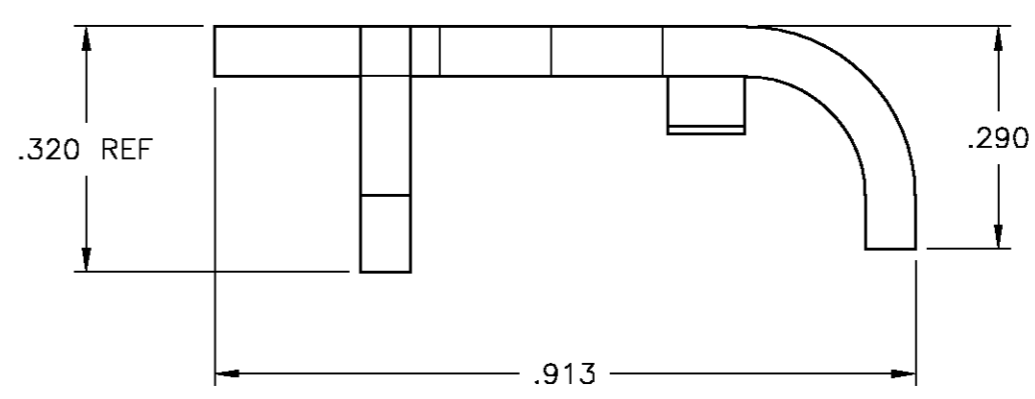
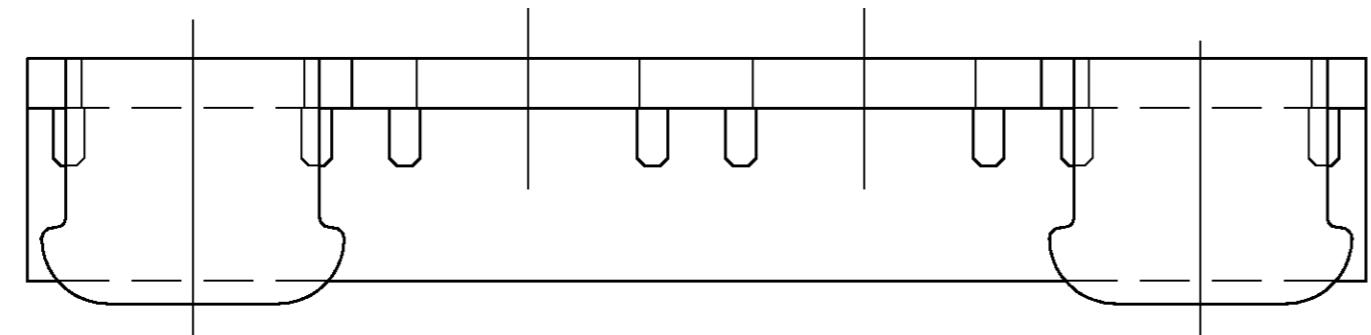
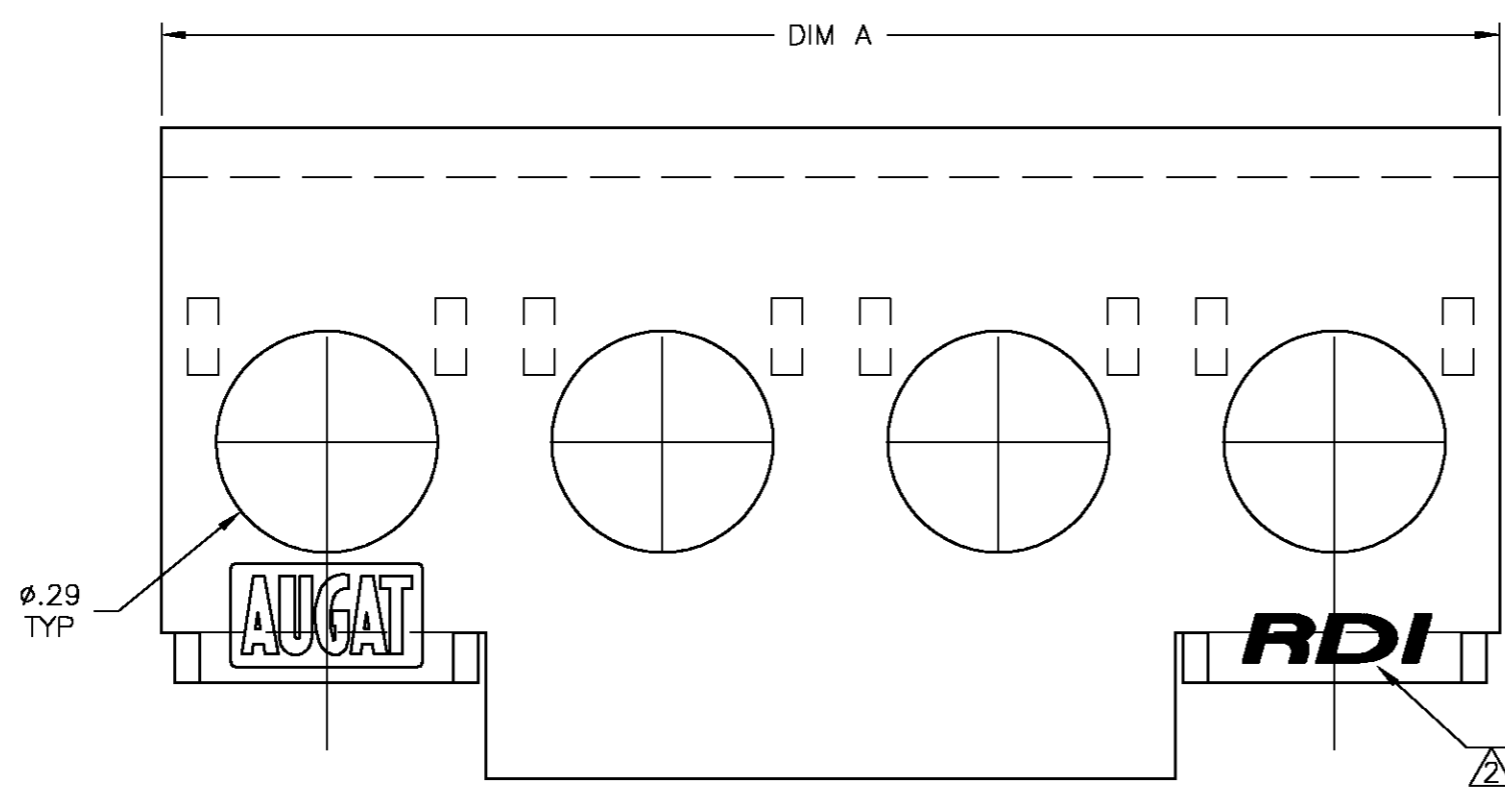


THIS DRAWING IS UNPUBLISHED. RELEASED FOR PUBLICATION
 © COPYRIGHT BY TYCO ELECTRONICS CORPORATION. ALL RIGHTS RESERVED.

LOC		DIST		REVISIONS			
P	LTR	DESCRIPTION	DATE	DWN	APVD		
0		REVISED PER 0G3B-1207-04	1/12/05	SS	SRY		

- NOTES:
- 1 MATERIAL: POLYPHENYLENE OXIDE UL94V-0, BLACK.
 - 2 POSTION HAS RDI LOGO OMITTED.
 - 3. FOR USE WITH 8 SERIES BARRIER STRIPS.



DIM A	NO. OF POS.	CATALOG NUMBER	PART NUMBER
6.993	16	TC8-16-PFHH	1-1776367-6
6.555	15	TC8-15-PFH	1-1776367-5
6.118	14	TC8-14-PFH	1-1776367-4
5.680	13	TC8-13-PFH	1-1776367-3
5.243	12	TC8-12-PFH	1-1776367-2
4.805	11	TC8-11-PFH	6-1437661-3
4.368	10	TC8-10-PFH	6-1437661-2
3.930	9	TC8-09-PFH	7-1437661-9
3.493	8	TC8-08-PFH	6-1437661-0
3.055	7	TC8-07-PFH	5-1437661-8
2.618	6	TC8-06-PFH	5-1437661-6
2.180	5	TC8-05-PFH	5-1437661-4
1.743	4	TC8-04-PFH	5-1437661-2
1.305	3	TC8-03-PFH	5-1437661-0
.868	2	TC8-02-PFH	7-1437661-5

THIS DRAWING IS A CONTROLLED DOCUMENT.		DWN	S SCHLEGEL	1/12/05	BUCHANAN Tyco Electronics Corporation Harrisburg, PA 17105
DIMENSIONS: INCHES		CHK	S YODER	1/12/05	
TOLERANCES UNLESS OTHERWISE SPECIFIED:		APVD	S YODER	1/12/05	
0 PLC ± - 1 PLC ± - 2 PLC ± - 3 PLC ± .010 4 PLC ± - ANGLES ± - FINISH -		PRODUCT SPEC	NAME		
MATERIAL		APPLICATION SPEC	TC8-XX-PFH PRESS FIT TERMINAL BLOCK COVER, W/ HOLES		RESTRICTED TO
-		WEIGHT	A2 00779 C=5-1437661-0		
		CUSTOMER DRAWING	SCALE	4:1	SHEET 1 OF 1
					REV 0

5-1437661-0