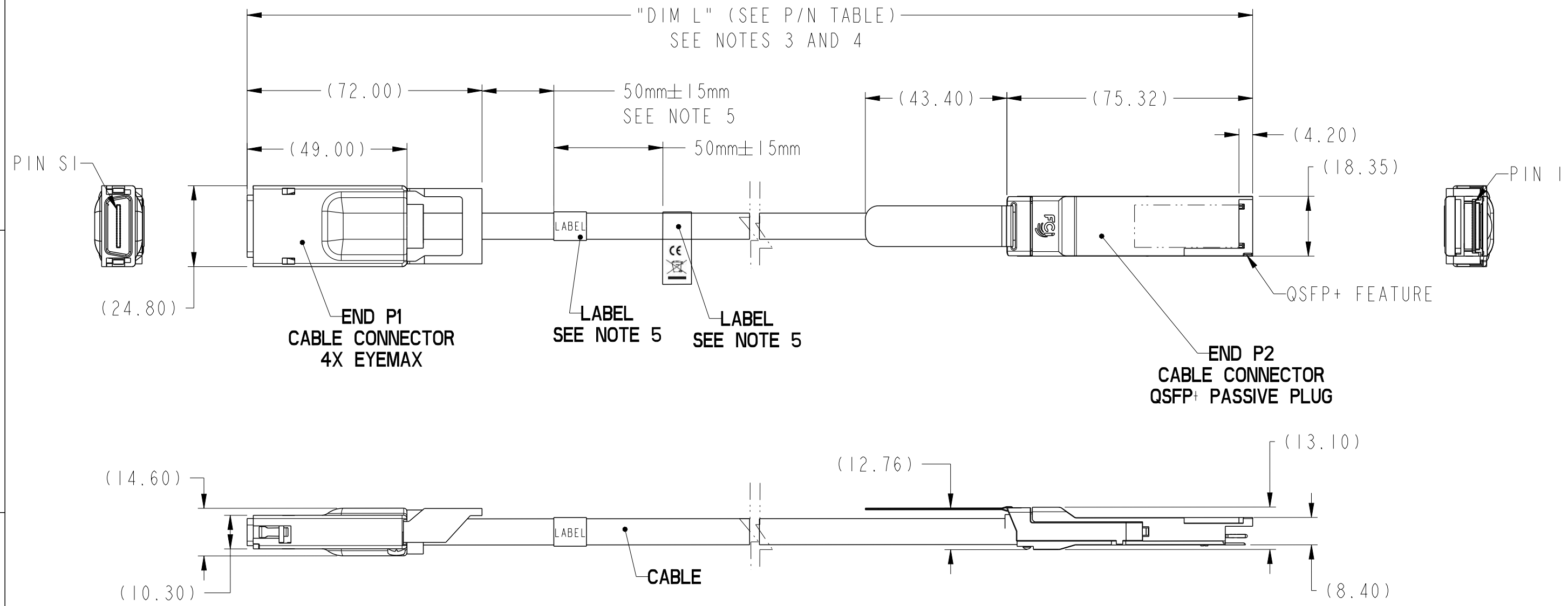


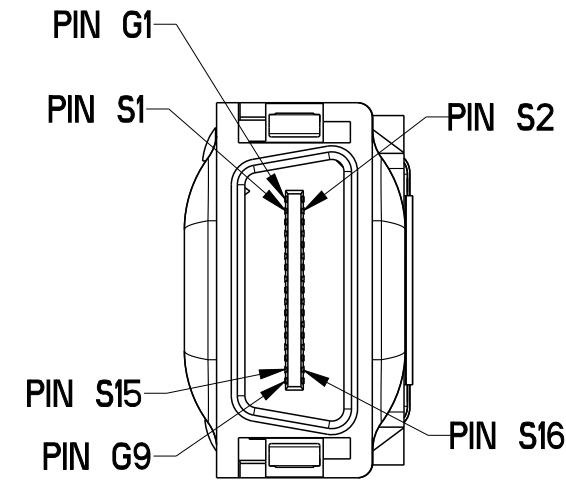
PART NUMBER	"DIM L" LENGTH (Meters)	AWG
10117984-1010HLF	1.0	32
10117984-2010HLF	1.0	30
10117984-2030HLF	3.0	30
10117984-4010HLF	1.0	26
10117984-4020HLF	2.0	26
10117984-4030HLF	3.0	26
10117984-4050HLF	5.0	26
10117984-4060HLF	6.0	26
10117984-5100HLF	10.0	24



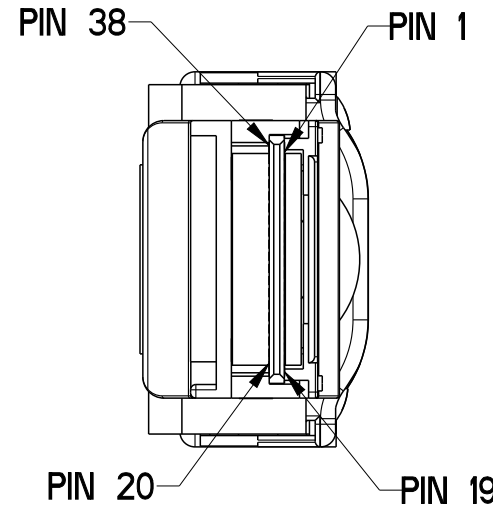
Copyright FCI.

spec ref	dr	Deborah Ingram	2011/04/12	projection	mm	size	A3	scale	3:10
tolerance std	eng	Tom Feng	2015/09/09		mm	ecn no	ELX-N-21883-1	rel level	Released
TOLERANCES UNLESS OTHERWISE SPECIFIED									
surface	chr	-	-			FINAL ASSEMBLY - STANDARD QSFP+ (PASSIVE) to EYEMAX ASSEMBLY		dwg no 10117984	rev C
	appr	Frank Mao	2015/09/17	www.fci.com	cat. no.	-	Product - Customer Drw	sheet 1 of 3	

Product number	DESCRIPTION
10117984-XXXXHLF	HALOGEN FREE (H)



END P1
CABLE CONNECTOR
4X EYEMAX



END P2
CABLE CONNECTOR
QSFP+ PASSIVE PLUG

WIRING LIST (SEE NOTE 6)

END P1 (EYEMAX)		CABLE PAIR	END P2 (QSFP+)	
EYEMAX PIN NUMBER	EYEMAX SIGNAL		QSFP + SIGNAL NAME	QSFP+ PIN NUMBER
G1-G9	SIGNAL GROUND	<--->	GND	1, 4, 7, 13, 16, 19, 20, 23, 26, 32, 35, 38
S1	IBtxlp(0)	<-o- p	TX1p	36
S2	IBtxln(0)	<-o- n	TX1n	37
S3	IBtxlp(1)	<-o- p	TX2p	3
S4	IBtxln(1)	<-o- n	TX2n	2
S5	IBtxlp(2)	<-o- p	TX3p	33
S6	IBtxln(2)	<-o- n	TX3n	34
S7	IBtxlp(3)	<-o- p	TX4p	6
S8	IBtxln(3)	<-o- n	TX4n	5
S9	IBtxOp(3)	-o-> n	RX4n	24
S10	IBtxOp(3)	-o-> p	RX4p	25
S11	IBtxOn(2)	-o-> n	RX3n	15
S12	IBtxOp(2)	-o-> p	RX3p	14
S13	IBtxOn(1)	-o-> n	RX2n	21
S14	IBtxOp(1)	-o-> p	RX2p	22
S15	IBtxOn(0)	-o-> n	RX1n	18
S16	IBtxOp(0)	-o-> p	RX1p	17
HOUSING	CHASSIS GROUND		HOUSING	CHASSIS GROUND (CASE COMMON)



Copyright FCI.

spec ref	dr	Deborah Ingram	2011/04/12	projection	mm	size	A3	scale	3:10
tolerance std	eng	Tom Feng	2015/09/09			ecn no	ELX-N-21883-1	rel level	Released
TOLERANCES UNLESS OTHERWISE SPECIFIED									
surface	linear	0.X	± -		FINAL ASSEMBLY - STANDARD QSFP+ (PASSIVE) to EYEMAX ASSEMBLY	dwg no	10117984	rev	C
		0.XX	± -						
		0.XXX	± -						
	angular	0°	± °	www.fci.com	cat. no.	-	Product - Customer Drw	sheet 2 of 3	

Product number	DESCRIPTION
10117984-XXXXHLF	HALOGEN FREE (H)

NOTES:
 ① - QSFP+ MATERIALS:
 CASTINGS: ZINC ALLOY/ COPPER UNDERPLATE/ NICKEL OVERPLATE
 PULL TAB: THERMOPLASTIC POLYMER
 LATCH RELEASE: ZINC DIECAST, NICKEL OVERPLATE
 DRIVE SCREWS: STAINLESS STEEL
 STRAIN RELIEF COLLAR: BRASS
 SPRING: STAINLESS STEEL
 LOCTITE
 PADDLE CARD: PRINTED CIRCUIT SUBSTRATE

EYEMAX MATERIALS:
 COVERS: ZINC ALLOY/ COPPER UNDERPLATE/ NICKEL OVERPLATE
 PULL TAB AND CABLE COLLARS: NYLON
 PLUG ASSEMBLIES: THERMOPLASTIC AND COPPER ALLOY
 LATCH: STAINLESS STEEL
 PCB BOARD: PRINTED CIRCUIT SUBSTRATE

2 - THIS PRODUCT MEETS THE RESTRICTION OF HAZARDOUS SUBSTANCES IN ELECTRICAL AND ELECTRONIC EQUIPMENT (RoHS) DIRECTIVE (2002/95/EC)

③ THIS DIMENSION IS A FINISHED PRODUCT LENGTH.

④ UNLESS OTHERWISE SPECIFIED ASSEMBLED LENGTH TOLERANCE IS TO BE:
 "DIM L" < 1 METER = ± 25mm
 "DIM L" = 1 METER TO 10 METERS = ± 2% OF "DIM L"

⑤ - UNLESS OTHERWISE SPECIFIED LABEL POSITION IS TO BE 50mm FROM REAR OF CONNECTOR.
 LABEL DETAILS:
 MANUFACTURER CODE OR NAME COUNTRY ORIGIN
 CUSTOMER P/N OR FCI P/N
 REVISION
 SERIAL NUMBER

FONT SHALL BE CLEARLY VISIBLE AND BLACK IN COLOR.

⑥ - ALL CABLE ASSEMBLIES SHALL BE 100% TESTED FOR CONTINUITY AS DEFINED IN WIRING LIST.

7 - IMPEDANCE: 100Ω DIFFERENTIAL.

8 - OTHER TESTING PERFORMED AS REQUIRED BY QSFP+ PRODUCT SPECIFICATION: GS-12-622.
 OTHER TESTING PERFORMED AS REQUIRED BY EYEMAX PRODUCT SPECIFICATION: GS-12-216 & GS-12-209.

9 - PACKAGING OF LEAD FREE PRODUCTS MEETS LABELING AND PACKAGING PER SPECIFICATION GS-14-920.
 PACKAGE CABLE ASSEMBLIES PER GS-14-1272..

10. A "△" SYMBOL WILL BE NEXT TO ANY DIMENSION, VIEW, OR NOTE WHICH HAS BEEN MODIFIED WITH THE CURRENT DRAWING REVISION. THE CURRENT REVISION WILL BE SHOWN IN THE SYMBOL.

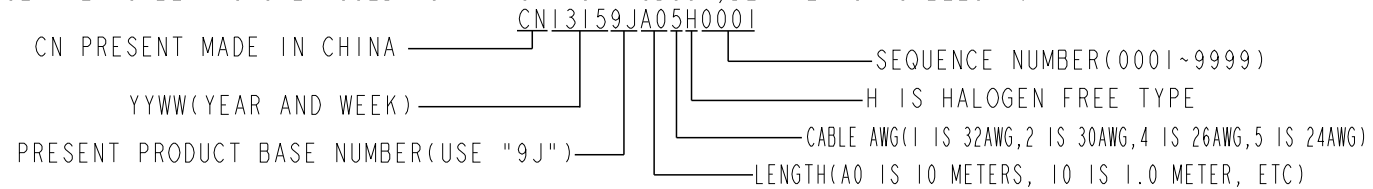
11. "H" PRODUCT NUMBERS DESIGNATE THE USE OF HALOGEN FREE RAW CABLE.

12. LONGER LENGTH APPLICATIONS REQUIRE HOST SYSTEM PREEMPHASIS AND/OR EQUALIZATION.

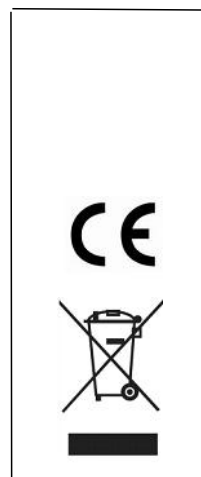
△ LABEL EXAMPLE

FCI MADE IN CHINA
 10117984-5100HLF
 REV.C
 CNI3159JA05H0001

SERIAL NUMBER IS ONLY USED FOR TRACKING PRODUCT,DETAIL IS AS BELOW :



△ CE AND WEEE LOGO LABEL



spec ref	dr	Deborah Ingram	2011/04/12	projection	mm	size	A3	scale	3:10
tolerance std	eng	Tom Feng	2015/09/09			ecn no	ELX-N-21883-1	rel level	Released
TOLERANCES UNLESS OTHERWISE SPECIFIED									
surface	linear	0.X	± -			rev no	10117984	rev	C
		0.XX	± -			cat. no.	Product - Customer Drw	sheet 3 of 3	
		0.XXX	± -			dwg no			
	angular	0°	± °						