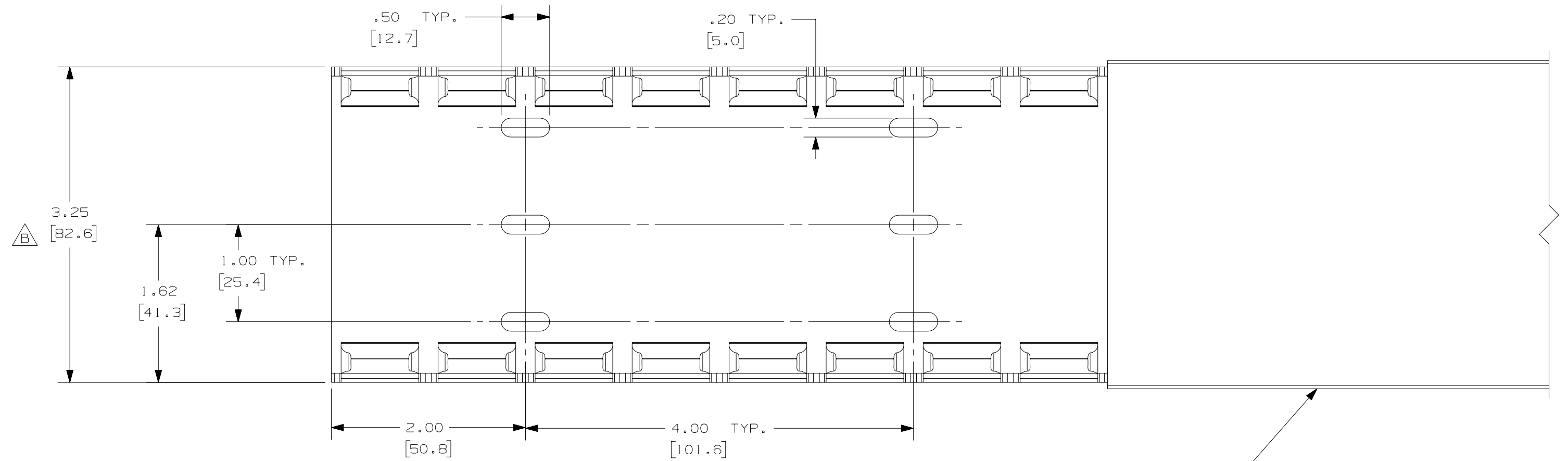
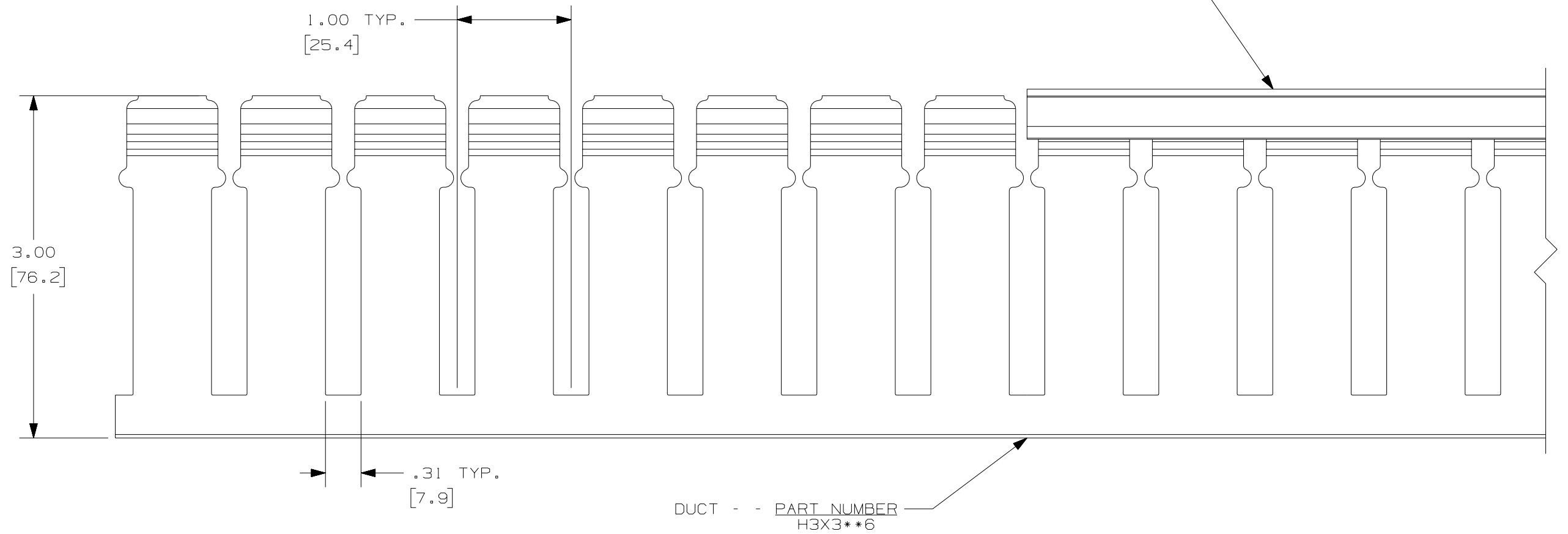
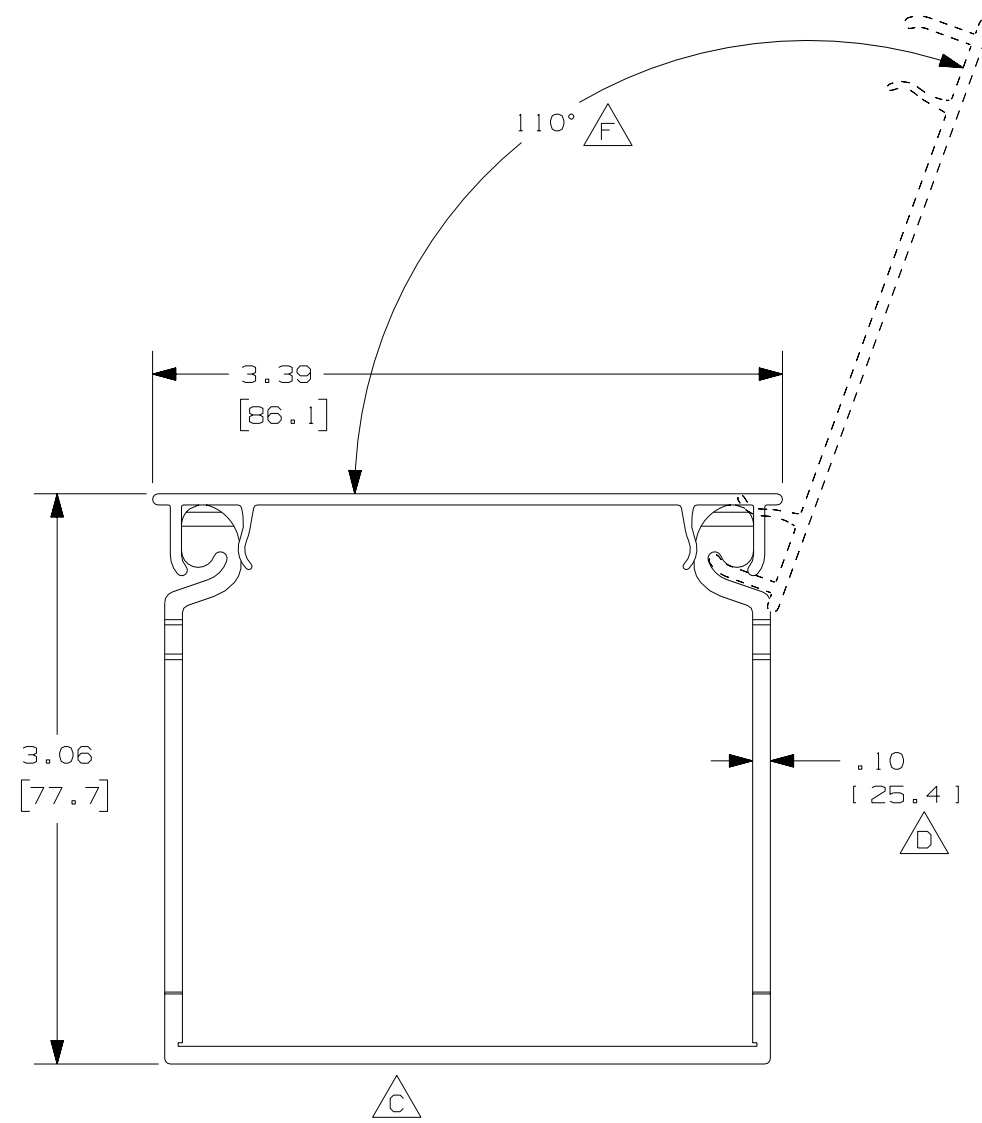


THIS COPY IS PROVIDED ON A RESTRICTED BASIS AND IS NOT TO BE USED IN ANY WAY DETRIMENTAL TO THE INTERESTS OF PANDUIT CORP.



COVER - - PART NUMBER
HC3**6



DUCT - - PART NUMBER
H3X3**6



NOTES:

1. ALL DIMENSIONS ARE REFERENCE ONLY.
2. DIMENSIONS IN PARENTHESIS ARE METRIC.
3. THE ** DENOTE COLOR.
4. DUCT AND COVER ARE AVAILABLE IN 6 FT [1828.8] LENGTHS.

| REV | DATE | BY | CHK | DESCRIPTION |
|-----|---------|----------|-----|---|
| 2 | 8/3/07 | JCSTMKBE | | F. ADDED ANGLE DIMENSION E. ADDED LENGTH NOTE D. CORRECTED DIMENSION C. DELETED DIMENSIONS B. ADDED DIMENSION |
| 1 | 4/8/05 | JCSTMKBE | | A. MODIFIED DRAWING |
| R | 1/14/05 | JCSTMKBE | | DRAWING RELEASED |

| | | | |
|--|---------------|-----------------|------------------|
| CAD FILENAME/LAYERS | | D110000R_DC_01C | |
| PANDUIT CORP. TINLEY PARK, ILLINOIS | | | |
| WIRING DUCT - TYPE H DUCT WITH COVER 3 X 3 MARKETING DRAWING | | | |
| DRWN BY JCST | MAT'L: PVC | SCALE FULL | DWG NO. |
| DATE 1/14/05 | | | 36897-1027 |
| CHECKED BY MKBE | | | DWG SIZE C |

