

Description

Single pole thermal reset circuit breaker

- Space-saving, slim design
- Ease of installation through snap-in frame
- Reliable, trip-free mechanism
- Approvals: UL1077, EN60934
- Attractively low price

Typical applications

Power supply units, UPS equipment, battery chargers, oxygen treatment devices, office machines

Order numbering code

Type No.

1115 single pole thermal circuit breaker

Mounting method

F1 snap-in mounting (panel thickness 1,8 ... 3 mm)

Number of poles

1 1 pole, thermally protected

Accessories, style

1 black push button

Terminals

P1 blade terminals A 6.3 x 0.8 mm

Characteristic curve

T1 thermal 3...16 A



T2 thermal 1...2.5 A

Current ratings

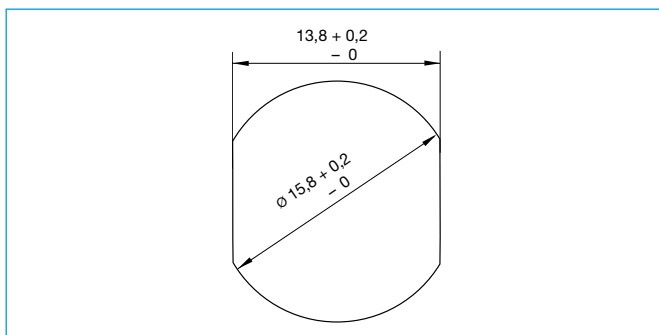
1...16A

1115 - F1 1 1 - P1 T1 - 10 A ordering example

Approvals

Approval authority	Standard	Rated voltage	Current rating range	Approval mark
UL	UL1077 (E67320)	AC 250 V DC 32 V	1...16 A	
TÜV	EN 60934/ IEC 60934	AC 250 V	1...16 A	

Cut-out dimensions



1115

Technical Data

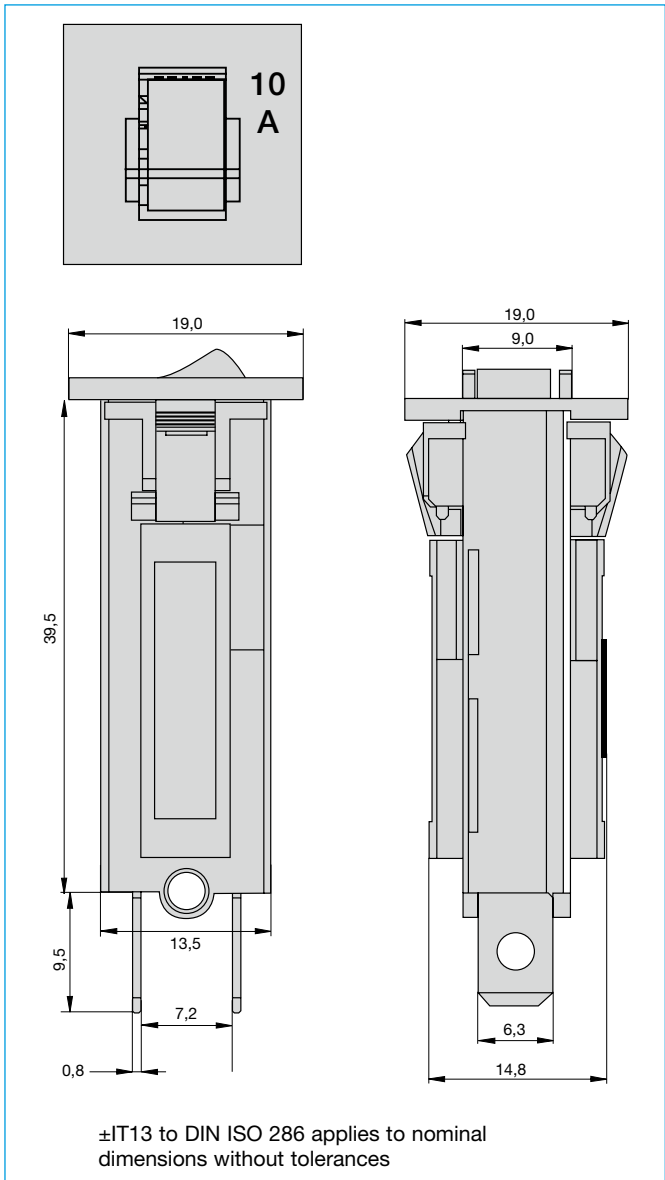
Rated voltage	AC 250 V; DC 32 V
Current rating range	1...16 A
Typical life	500 operations at 1.5 times rated current, resistive load, AC 125 V 50 operations at 2 times rated current, inductive load, AC 250 V
Rupture capacity UL1077	1.000 A (C, 1), AC 250 V 200 A (C, 1), DC 32 V
EN 60934	500 A (I _{NC1}), AC 250 V
Ambient temperature	-20°C ... + 60°C
Vibration	57 Hz acceleration 30m/s ² (3g) in X, Y, Z directions (twice/min.)
Shock	300m/s ² (30g) in X, Y, Z directions
Mass	approx. 8g

Current ratings and typical voltage drop

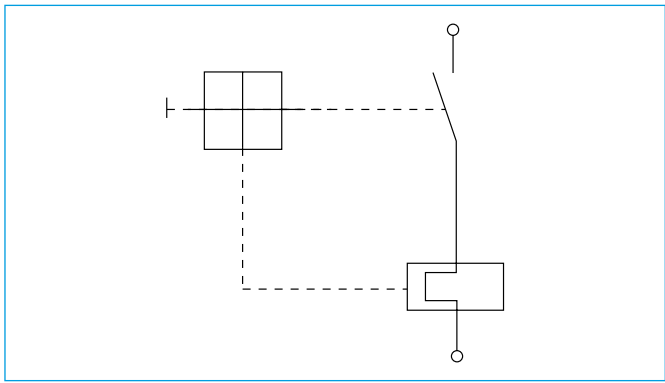
Current rating range (A)	Voltage drop (mV)	Current rating range (A)	Voltage drop (mV)
1	< 1000	8	< 250
1,5	< 500	9	< 250
2	< 500	10	< 250
2,5	< 500	11	< 250
3	< 250	12	< 250
3,5	< 250	13	< 250
4	< 250	14	< 250
5	< 250	15	< 250
6	< 250	16	< 250
7	< 250		

1

Dimensions

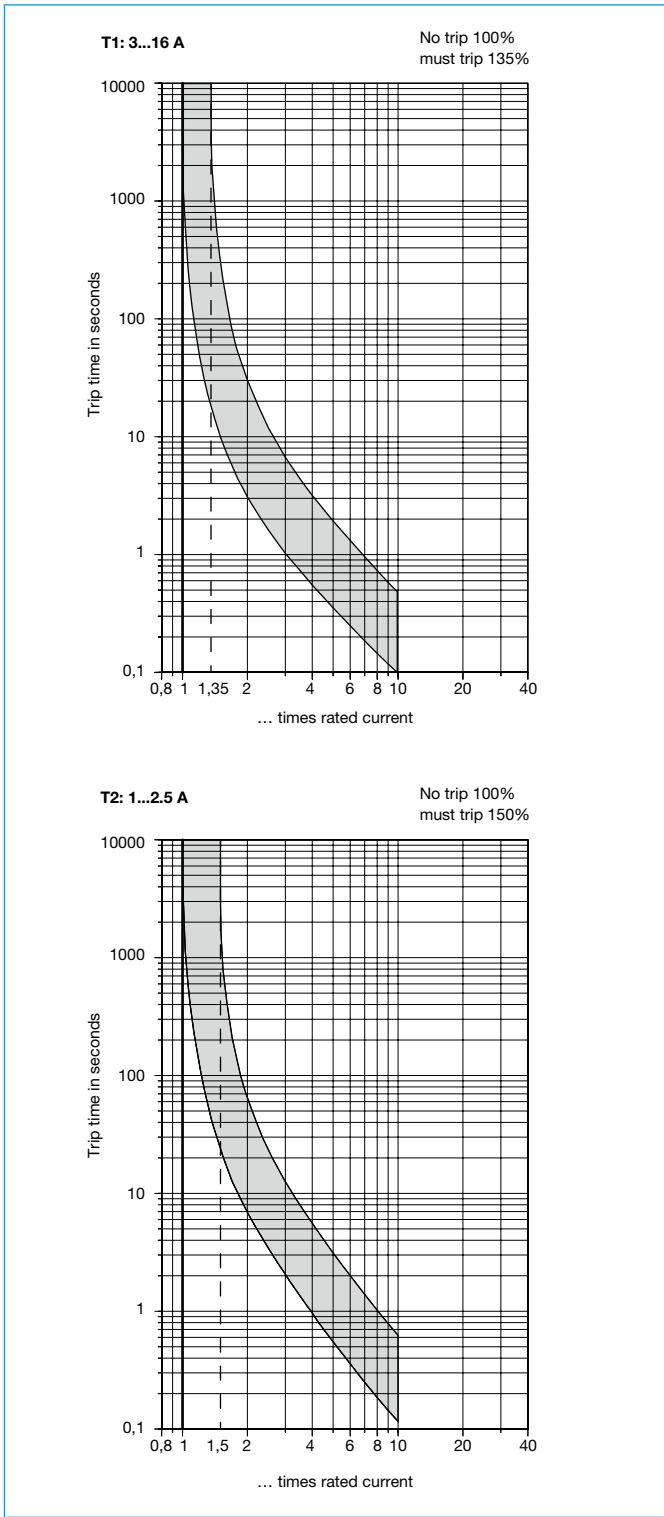


Schematic diagram



All dimensions without tolerances are for reference only. In the interest of improved design, performance and cost effectiveness, the right to make changes in these specifications without notice is reserved. Product markings may not be exactly as the ordering codes. Errors and omissions excepted.

Time/current characteristics



The time/current characteristic depends on the ambient temperature. In order to eliminate nuisance tripping, please multiply the current rating by a derating factor (see chapter Technical Information)

ambient temperature [°C]	-20	-10	0	+10	+25	+35	+40	+50	+60
Temperature factor	0,71	0,77	0,83	0,91	1	1,06	1,18	1,37	1,47