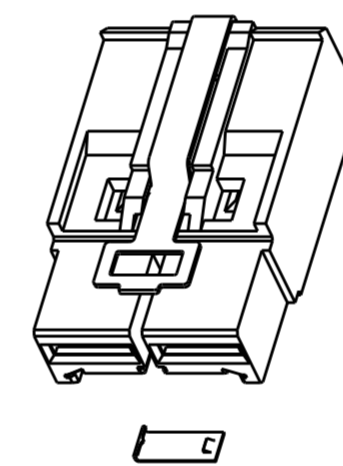
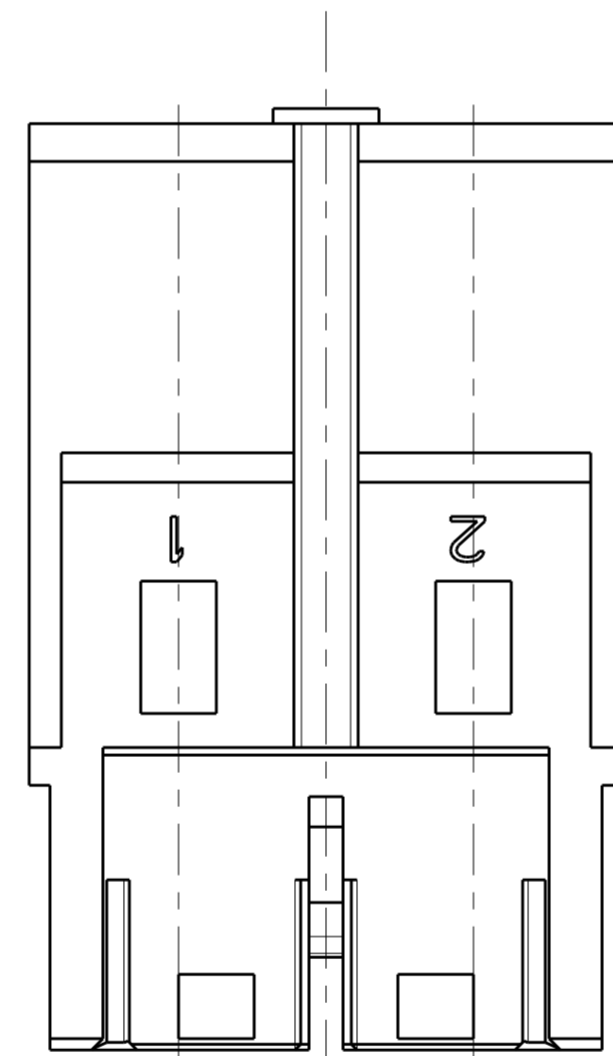
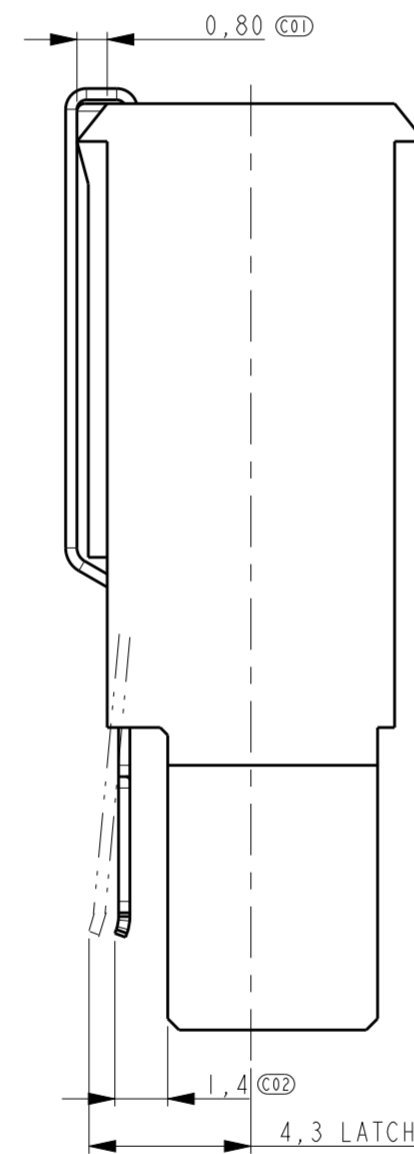
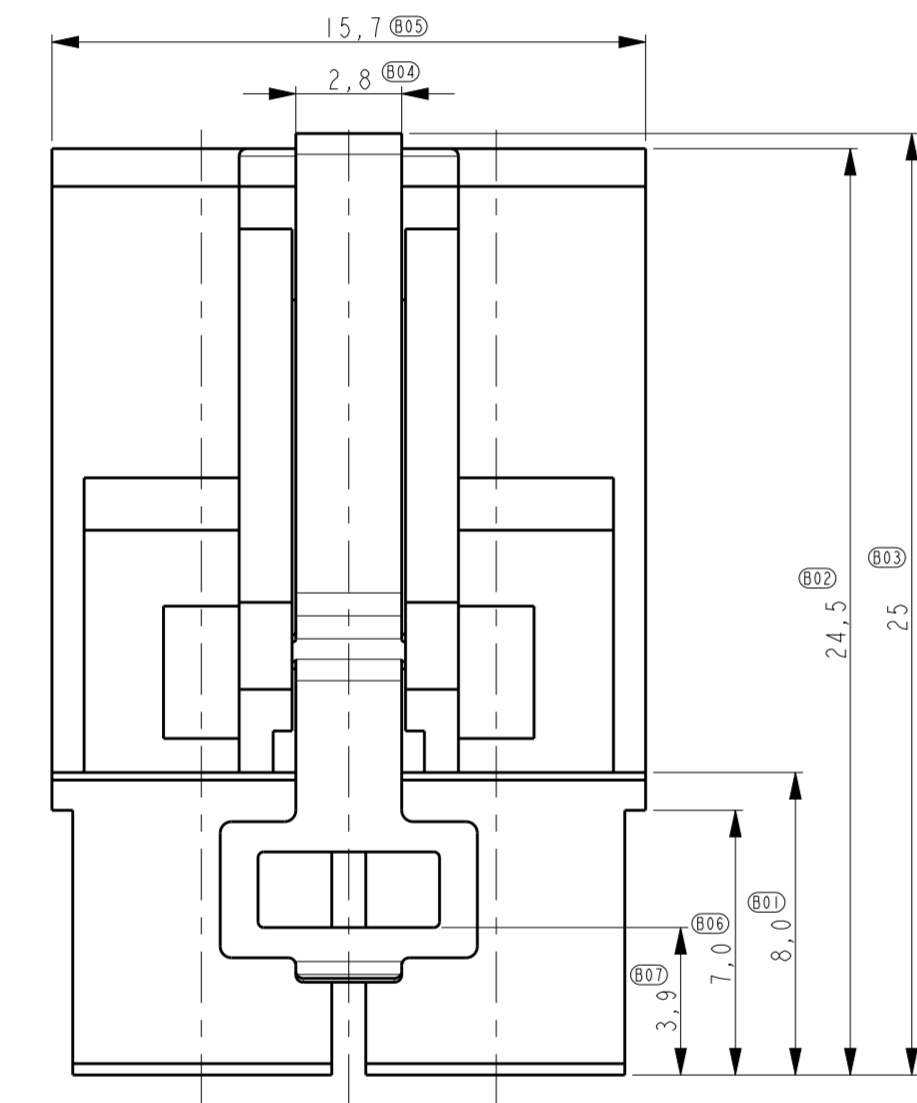
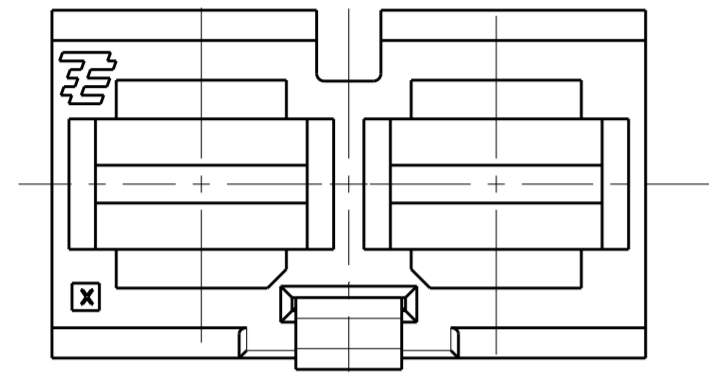


THIS DRAWING IS UNPUBLISHED. RELEASED FOR PUBLICATION
 © COPYRIGHT - TE CONNECTIVITY ALL RIGHTS RESERVED.

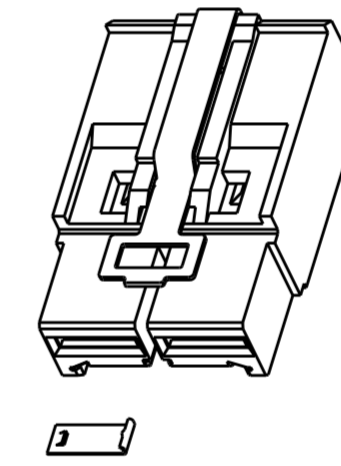
LOC	DIST	REVISIONS					
H	-	P	LTR	DESCRIPTION	DATE	DWN	APVD
		A2		1982299-1/-2/-3 IS RESTRICTED	29JUN2011	PS	RP
		A3		1982299-6 ADDED	23NOV2011	PS	RRP
		B		REV PER ECO-14-014260	19SEP2014	OL	SZ
		B1		REV PER ECO-16-014059	13FEB2017	WY	SZ

NOTES:

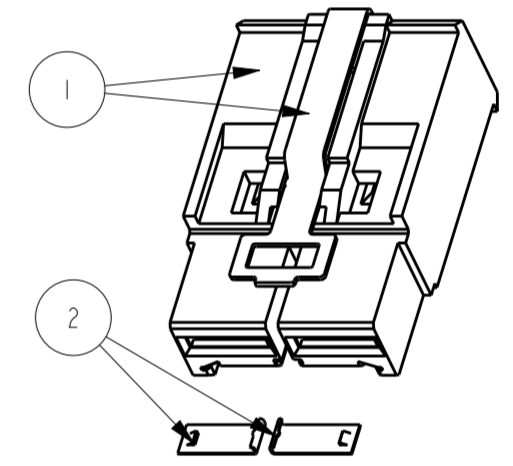
- 1 USE FOR (SILVER PLATED) STANDARD POWER TIMER CONTACTS .
FOR CONTACTS PARTNUMBERS SEE DWG. C-1355048 VERSION A
ALLOWED MAX WIRE SIZE 4 mm².
- 2 LOOSE PIECE PART NUMBER ITEM 2:1982298-2.



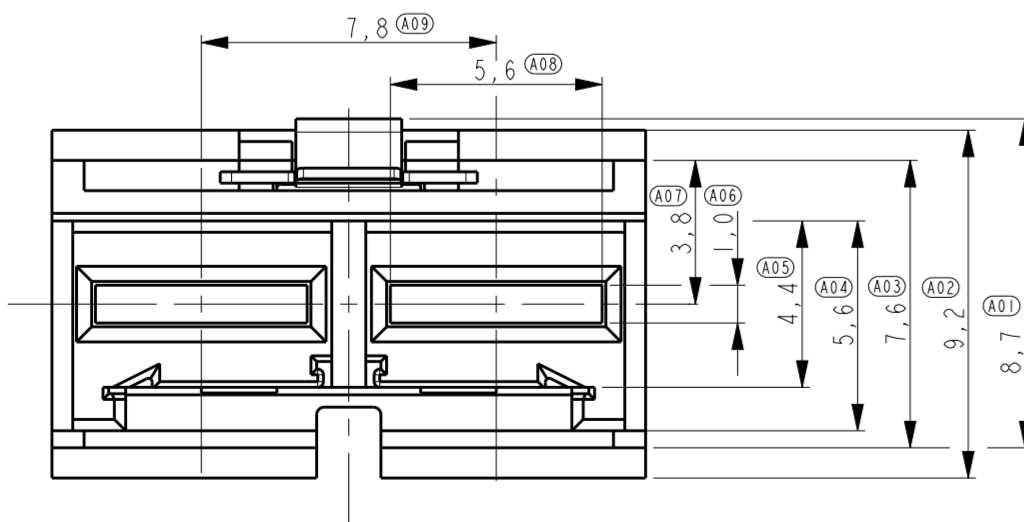
198299-1 WITH RIGHT CODING CONTACT



198299-2 WITH LEFT CODING CONTACT



198299-3 WITH TWO CODING CONTACTS



198299-4	198299-3	198299-2	198299-1
-	2	1	1
1	1	1	1
QTY	QTY	QTY	QTY

DESCRIPTION	MATERIAL	FINISH	ITEM
CODING CONTACT	COPPER ALLOY	0.8 um Au IN CONTACT PLACE OVER 1.2 um Ni UNDERPLAYER OVERALL	2
HOUSING LATCH	PA GF UL94V-0 STAINLESS STEEL	NA	1

THIS DRAWING IS A CONTROLLED DOCUMENT.

DWN: R. Annokkee 13-feb-07
 CHK: R. Annokkee 13-feb-07
 APVD: J. Broeksteeg

NAME: ELCON Mini, 2-position cable connector metal latch, 4mm² max. wire

PRODUCT SPEC: 108-19346
 APPLICATION SPEC: 114-19110

MATERIAL: -
 FINISH: -

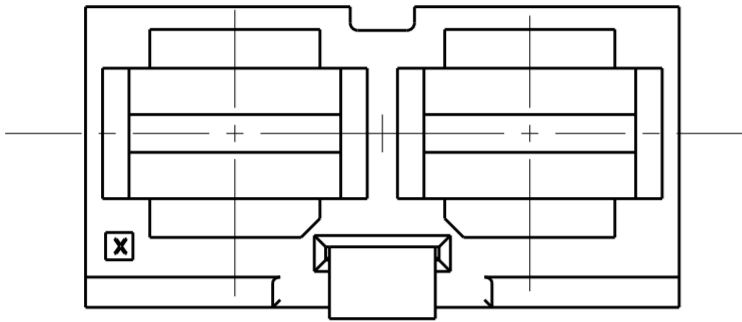
WEIGHT: -

SCALE: 5:1 SHEET 1 OF 2 REV B1

CUSTOMER DRAWING

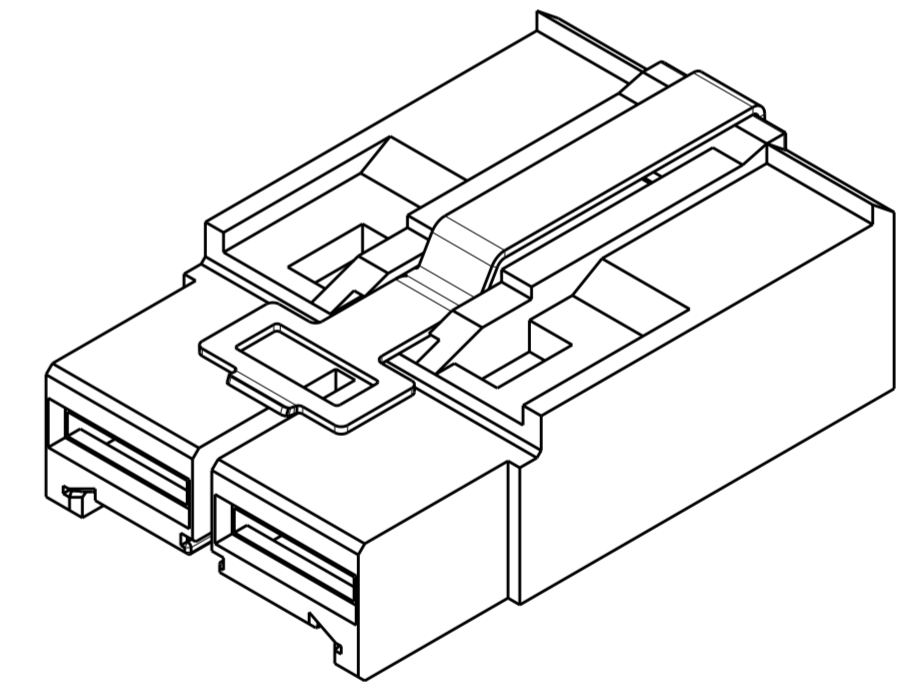
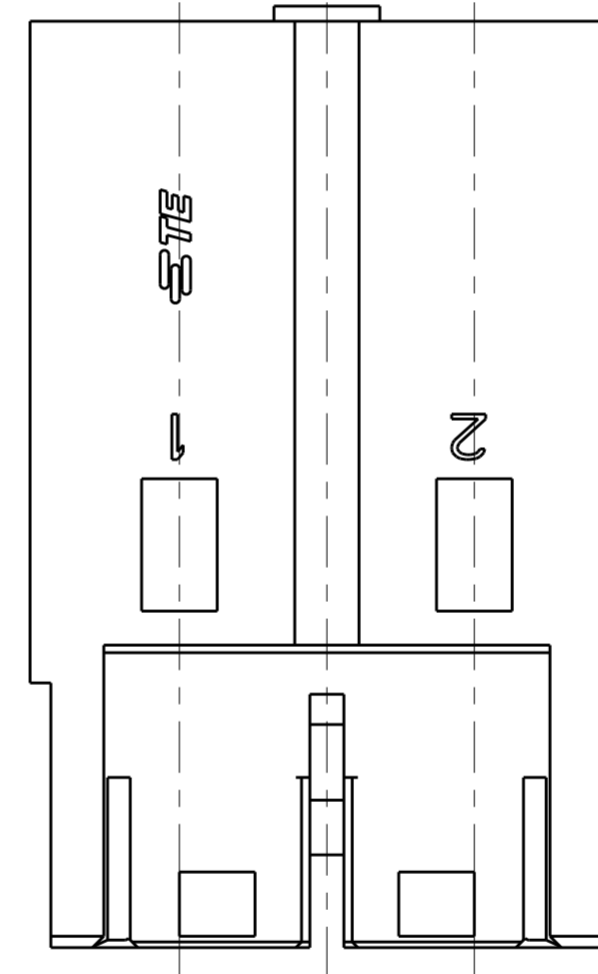
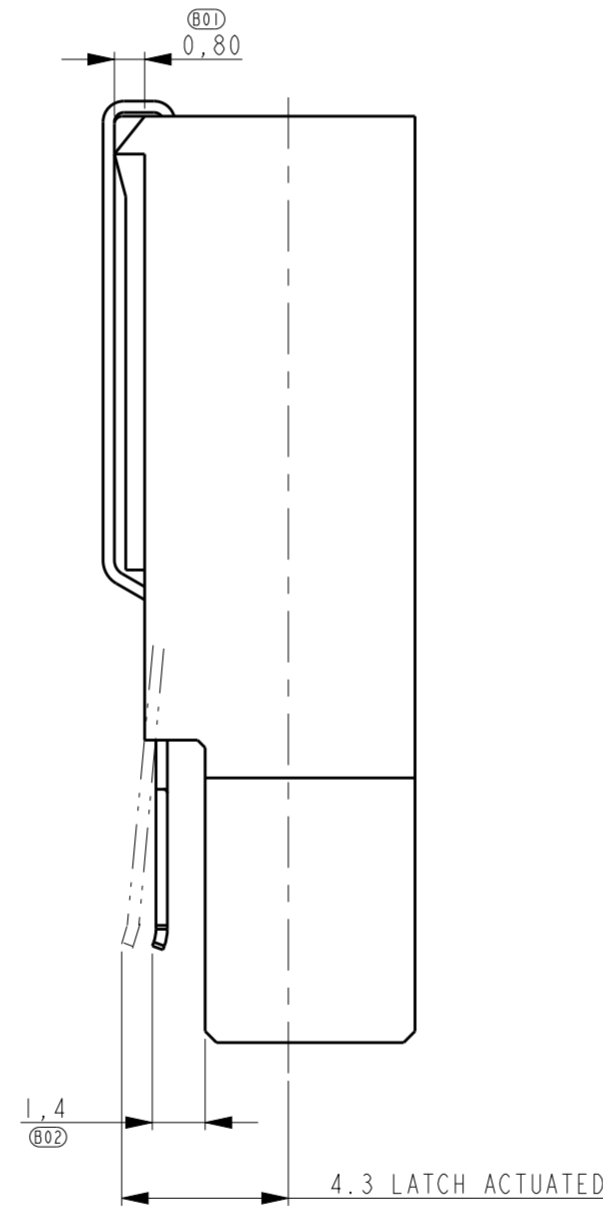
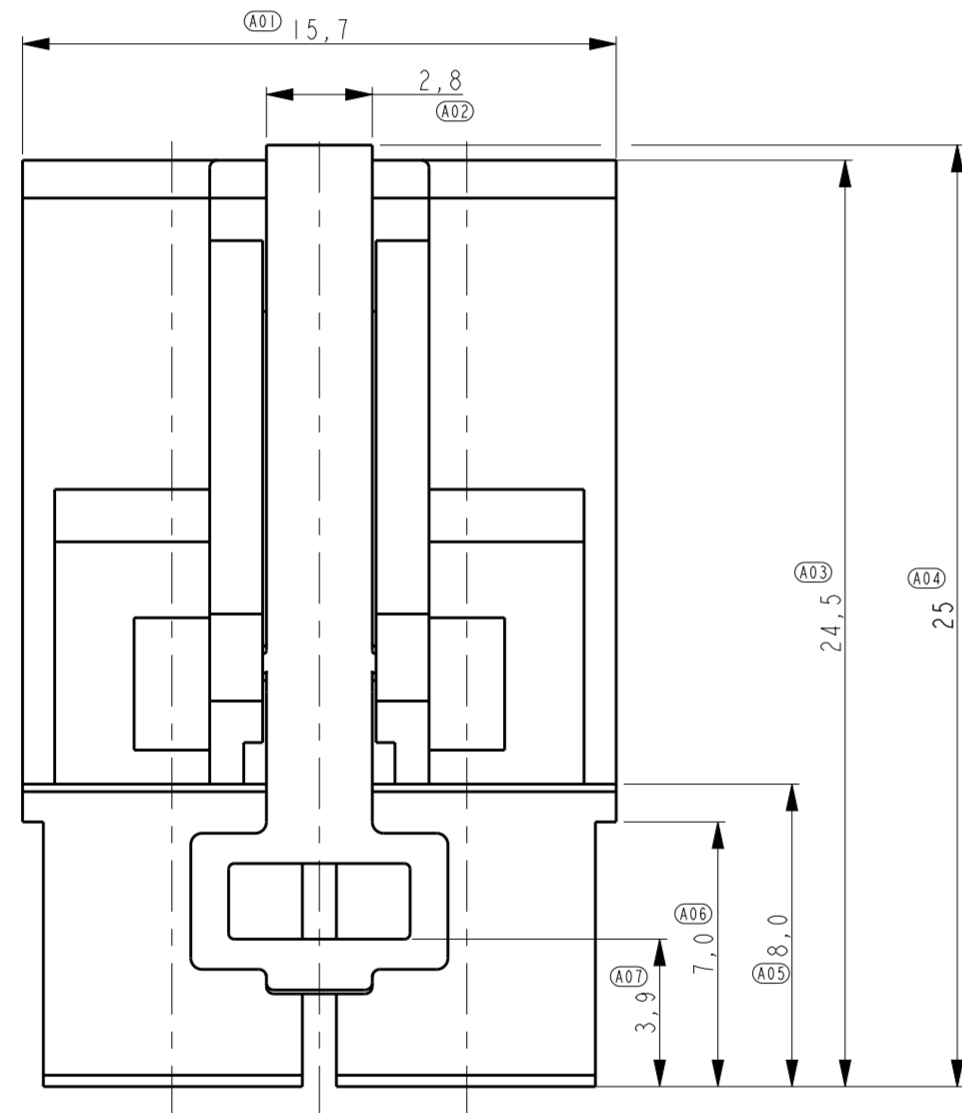
THIS DRAWING IS UNPUBLISHED. RELEASED FOR PUBLICATION
 © COPYRIGHT - TE CONNECTIVITY ALL RIGHTS RESERVED.

LOC	DIST	REVISIONS					
H	-	P	LTR	DESCRIPTION	DATE	DWN	APVD
		-		SEE SHEET 1	-	-	-

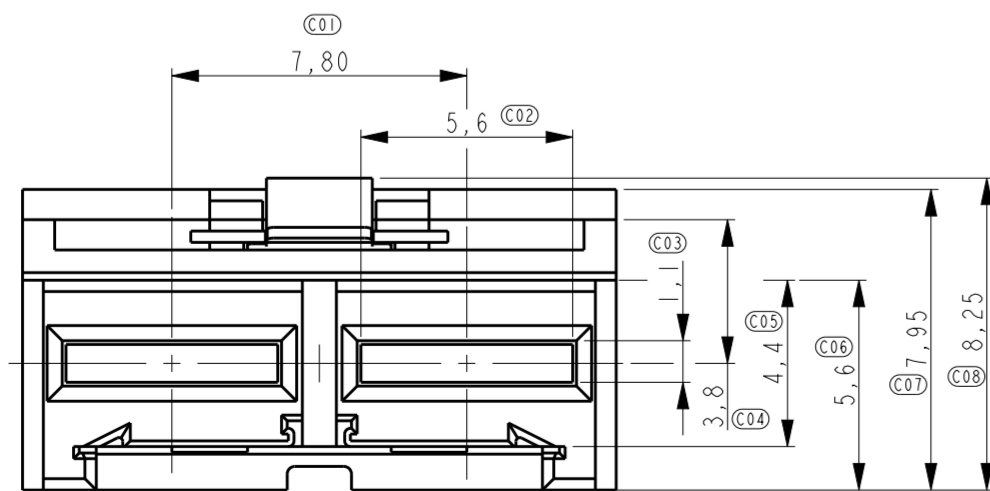


NOTES:

- 1 USE FOR (SILVER PLATED) STANDARD POWER TIMER CONTACTS .
 FOR CONTACTS PARTNUMBERS SEE DWG. C-1355048 VERSION A
 ALLOWED MAX WIRE SIZE 4 mm².



SCALE 4:1



1982299-6	1 HOUSING LATCH	PA GF UL94V-0 STAINLESS STEEL	NA	1
QTY	DESCRIPTION	MATERIAL	FINISH	ITEM

THIS DRAWING IS A CONTROLLED DOCUMENT.		DWN R. Annokkee 13-feb-01	TE Connectivity ELCON Mini, 2-position cable connector metal latch, 4mm ² max. wire	
DIMENSIONS: mm		CHK R. Annokkee 13-feb-01		
TOLERANCES UNLESS OTHERWISE SPECIFIED:		APVD J. Broeksteeg	NAME	
0 PLC ± 0,5	1 PLC ± 0,1	PRODUCT SPEC 108-19346	APPLICATION SPEC	
2 PLC ± 0,05	3 PLC ± -	APPLICATION SPEC 114-19110	RESTRICTED TO	
4 PLC ± -	ANGLES ± 2	WEIGHT -	SIZE A2	CAGE CODE 00779
MATERIAL -	FINISH -	CUSTOMER DRAWING	DRAWING NO. 1982299	REV B1
SCALE 5:1			SHEET 2 OF 2	REV B1