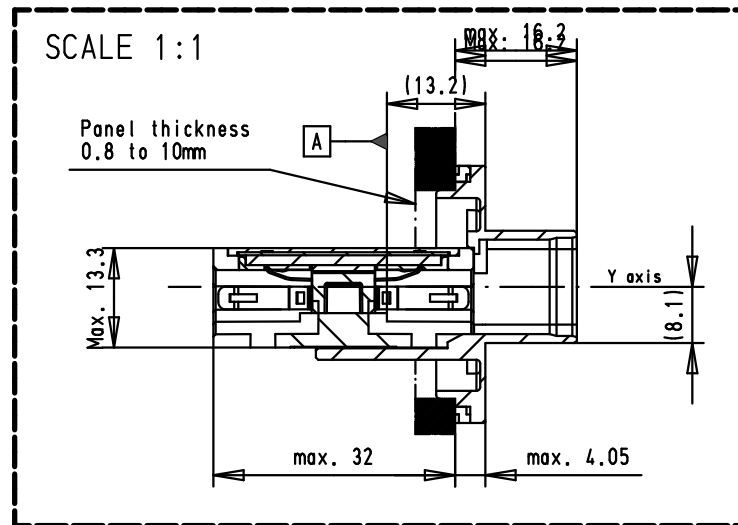
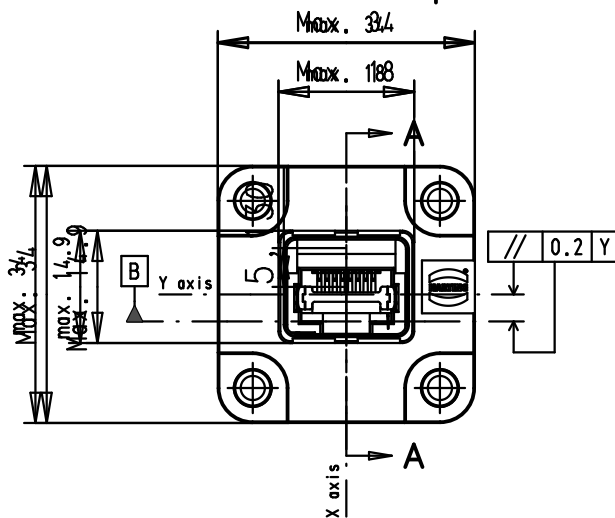
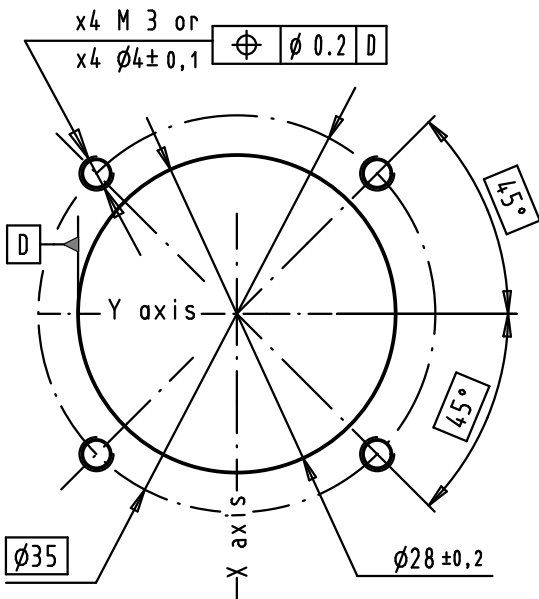


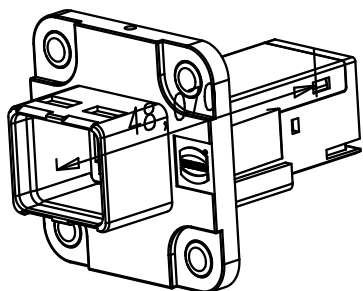
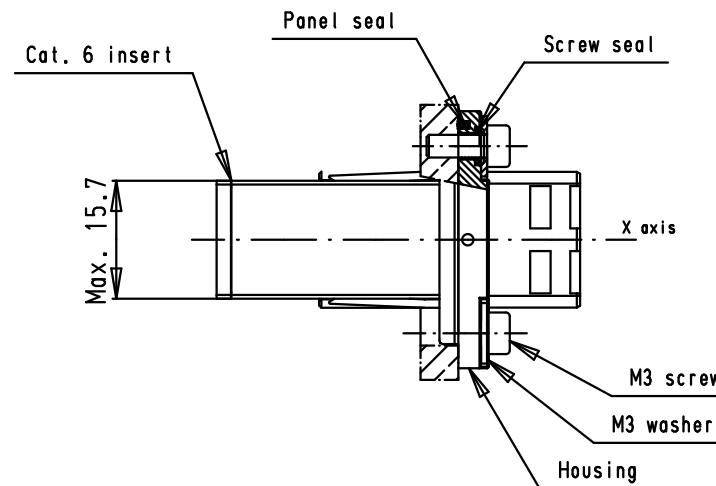
Panel cutting




Connector pitches on panel = 35 mm  
 Receptacle mating face acc. to  
 IEC 61076-3-106 - variant 04

jack references A and B  
 according to IEC 60603-7  
 the jack is located in the housing  
 in the X,Y,Z axis after locking clips.

Screwing by x4 M3 screws with torque 0.5 N.m  
 with flat washer under the screw .



			Dot.	Name	 All Dim. in mm Orig. Size DIN A 4	HARTING PUSHPULL PLASTIC EASYINSTALL PANEL FEED THROUGH Cat.6	Maßstab/ Scale  1:1
		Detail.	25/05/10	AB			
		Insp.					
		Stand.					
36075	25/05/10	AB	HARTING EURL F-95972 Paris			TB 09 45 245 1590	Blatt/ Page 1 / 1
Mod.	Dot.	Name					

