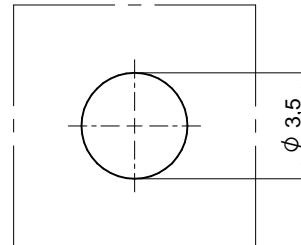
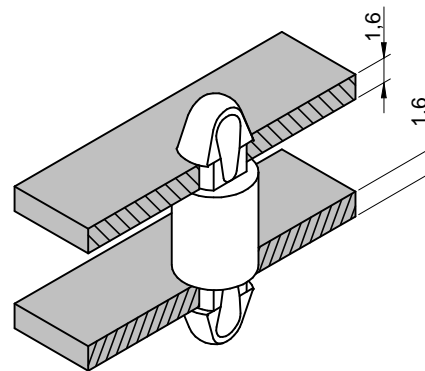


### Hole Pattern



### Panel Thickness



Order Code	L (mm)
709 656 000	6.0 ±0.3
709 657 000	7.0 ±0.3
709 655 000	8.0 ±0.3
709 657 000	10.0 ±0.3
709 658 000	16.0 ±0.3
709 659 000	18.0 ±0.3

Operating Temperature: -30°C up to +85°C  
 Flammability according to: UL94 V-2

				Würth Elektronik eiSos GmbH & Co. KG EMC & Inductive Solutions	CREATED DaF	CHECKED SKI	GENERAL TOLERANCE DIN ISO 2768-1m	PROJECTION METHOD		SIZE A4
				Max-Eyth-Str. 1 74638 Waldenburg Germany com. +49 79 42 945 - 0	DESCRIPTION <b>AsSNSN Miniature snap-on spacer arresting on both sides</b>			TECHNICAL REFERENCE	MATERIAL Nylon 66, natural	
				www.we-online.de eiSos@we-online.de	SIZE xxx xxx xxx	WEIGHT	STATUS Released	DATE 2015-03-20	BUSINESS UNIT eiCan	PAGE 1 / 1
REV.	FILE	DATE	BY		ORDER CODE 709656xxx					

