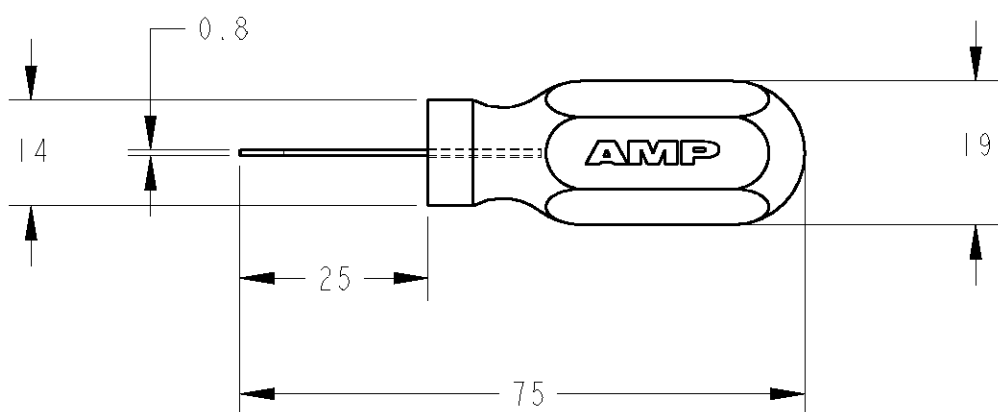
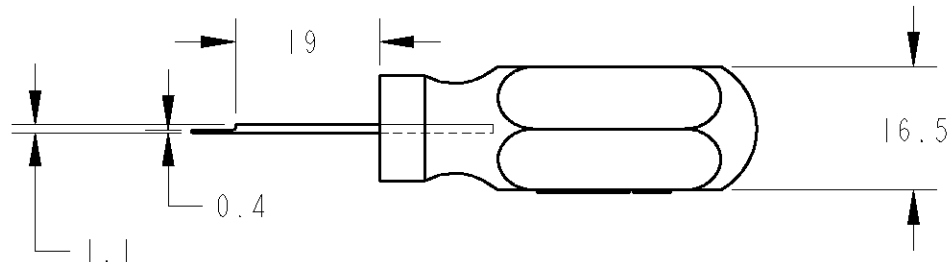


LOC	DIST	REVISIONS						
		P	LTR	DESCRIPTION	DATE	DWN	APVD	
J	-		0	RELEASED	FJ00-1128-00	25-Sep-00	J.K	S.Y
			01	CORRECTED	FJ00-1671-00	19-Oct-00	J.K	S.Y



1. APPLICABLE PRODUCTS 適用製品
 TERMINAL (STRIP): 1376109-1
 TERMINAL (L.P.): 1376607-1
 HOUSING: 1376103-1, 1376106-1

2. INSTRUCTION SHEET NO: 411-5974
 取扱説明書番号

20

RELEASED FOR PUBLICATION

BY TYCO ELECTRONICS CORPORATION. ALL RIGHTS RESERVED.

© COPYRIGHT 20

THIS DRAWING IS UNPUBLISHED.

DIMENSIONS: mm	DWN	J. KOGA	19-Oct-00	MATERIAL	-	FINISH	-
	CHK	J. KOGA	19-Oct-00	AMP Tyco Electronics AMP K.K. Kawasaki, Japan			
TOLERANCES UNLESS OTHERWISE SPECIFIED:	APVD	S. YABE	19-Oct-00				
0 PLC ±-	PRODUCT SPEC	NAME EXT-TOOL FOR 025 TAB CONTACT 025 タブ・コンタクト用引抜工具					
1 PLC ±-	APPLICATION SPEC	SIZE A4 CAGE CODE 00779 DRAWING NO C=1366865-1 RESTRICTED TO -					
2 PLC ±-	WEIGHT	CUSTOMER DRAWING SCALE 1:1 SHEET 1 OF 1 REV 01					
3 PLC ±-							
4 PLC ±-							
ANGLES ±-							