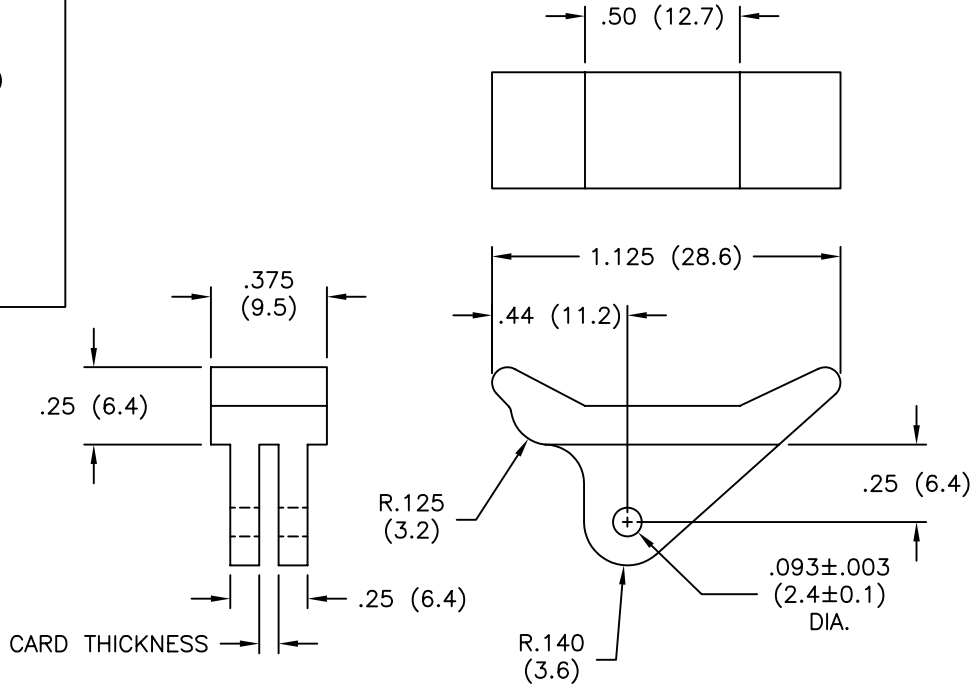
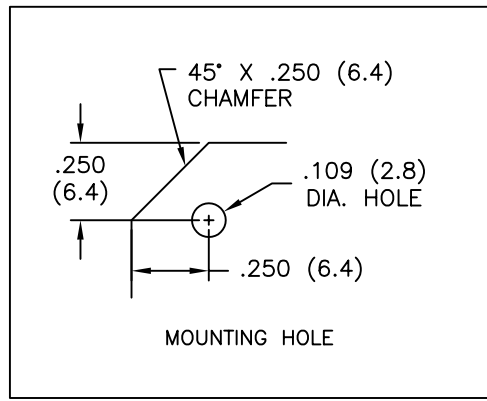


PART NO.	CARD THICKNESS
RCP-06	1/16 (1.6)
RCP-09	3/32 (2.4)



NOTES:

1. MATERIAL: NYLON 6/6 (RMS-48).
2. COLOR: WHITE.
3. INSTALLATION ROLL PIN NO. RRP-250, MATERIAL: PASSIVATED STAINLESS STEEL PER MIL-P-10971. COLOR: SILVER.
 3/32 (2.4) DIA. X 1/4 (6.4) LONG, FURNISHED WITH EJECTORS.

TITLE: CARD EJECTORS		DWG IN IN (MM)		FINAL	
TOLERANCES UNLESS NOTED .XX=±.010 .XXX=±.005 FRAC=±1/64 ANG=±1°		FILE # RCP	DWN: P.B.	APP:	PART # SEE TABLE
RE: RICHCO, INC.		MAT'L: SEE NOTES	DT: 04-07-94	DT:	
REV DESCRIPTION ENGR DATE		RICHCO INC. PO BOX 804238, CHICAGO, 60680 (773) 539-4060		PRINT TYPE CA	