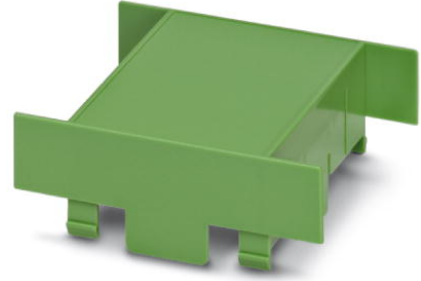


EG 67,5-A/PC GN


Order No.: 2764933

Illustration shows a fully mounted version of the electronic housing

<http://eshop.phoenixcontact.de/phoenix/treeViewClick.do?UID=2764933>

Housing cover, for connection on both sides

Commercial data

GTIN (EAN)	 4 017918 131975
sales group	F020
Pack	10 pcs.
Customs tariff	85369010
Catalog page information	Page 571 (CC-2009)

Product notes

WEEE/RoHS-compliant since:
01/01/2003

<http://www.download.phoenixcontact.com>
Please note that the data given here has been taken from the online catalog. For comprehensive information and data, please refer to the user documentation. The General Terms and Conditions of Use apply to Internet downloads.

Technical data

General

Housing type	Upper part
Housing material	PC
Color	green

Dimensions / positions

Length	75 mm
--------	-------

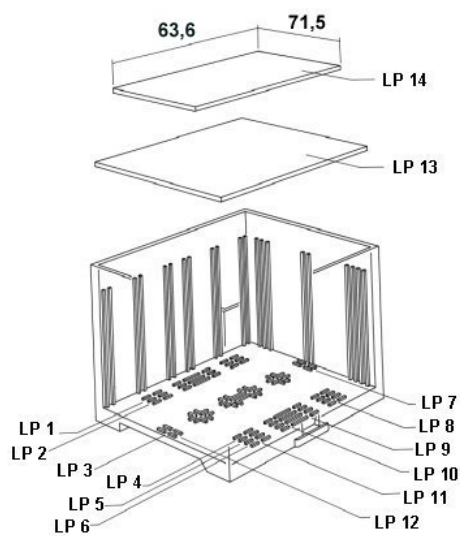
Constructional height	17.5 mm
Width	67.5 mm
Number of positions	26

Technical data

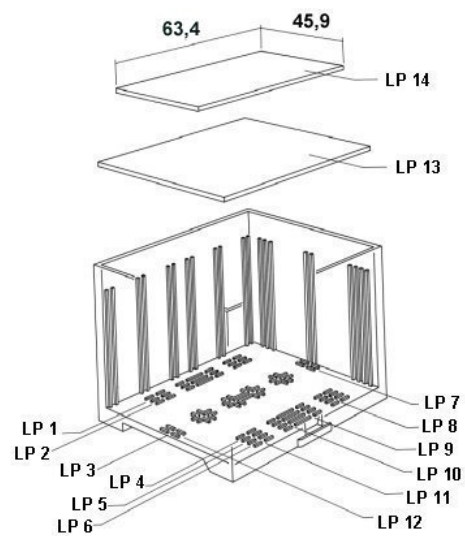
Inflammability class acc. to UL 94	V0
------------------------------------	----

Diagrams/Drawings

Explosion drawing

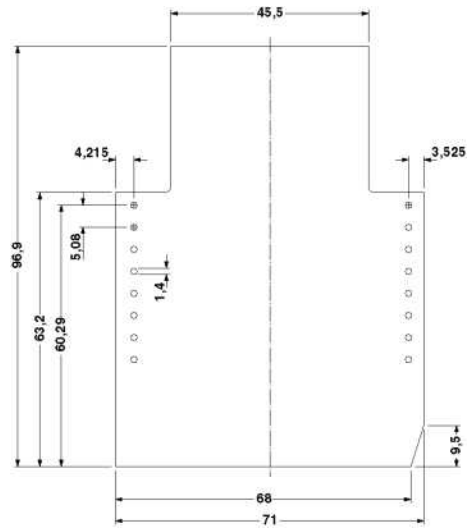
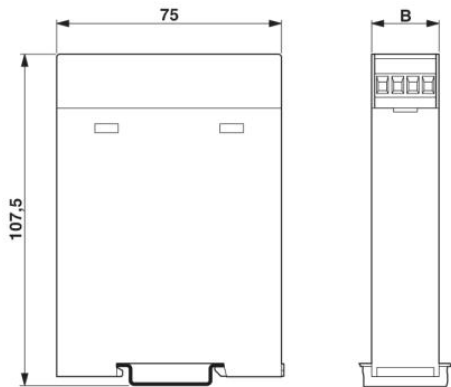


valid for PCB 13

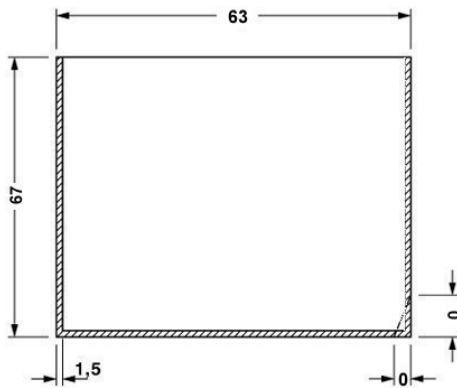


valid for PCB 14

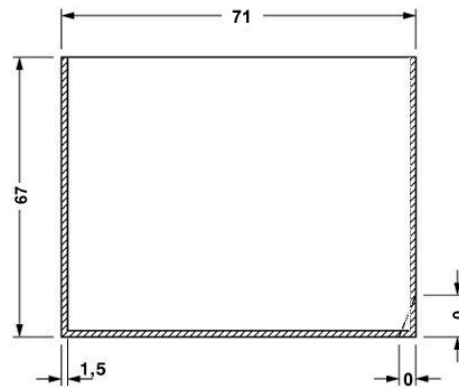
Dimensioned drawing



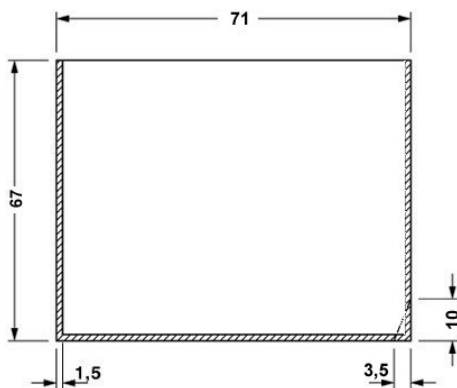
Component mounting side, if the double-level upper part is used



valid for PCB 1; 2; 3; 4; 5 und 6, see explosion drawing



valid for PCB 7; 8; 11 and 12, see explosion drawing



valid for PCB 9, see explosion drawing

Address

PHOENIX CONTACT Deutschland GmbH
Flachmarktstr. 8
32825 Blomberg, Germany
Phone +49 5235 3 12000
Fax +49 5235 3 41200
<http://www.phoenixcontact.de>



© 2010 Phoenix Contact
Technical modifications reserved;