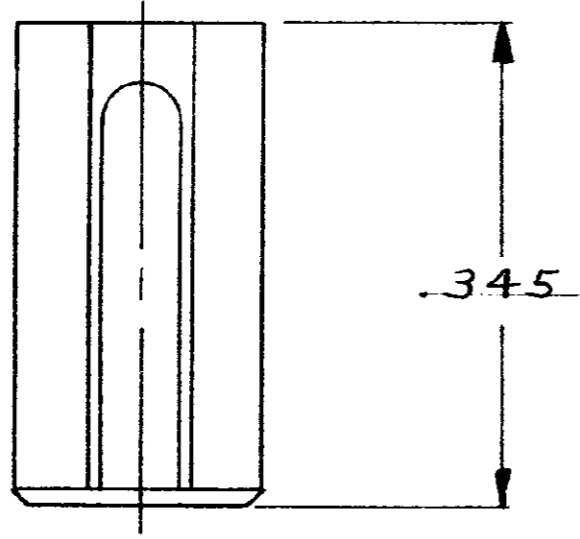
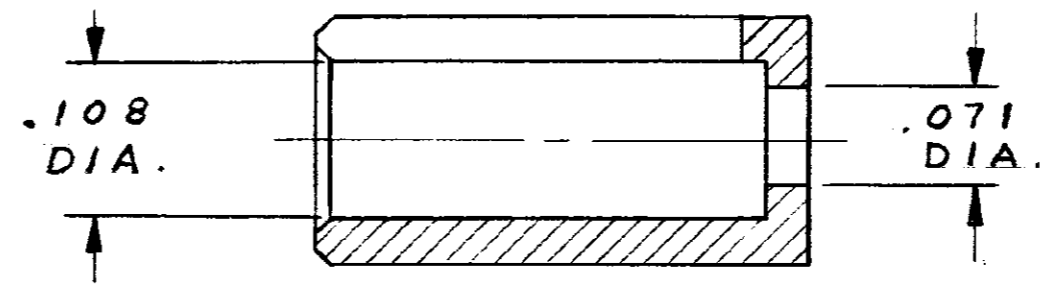
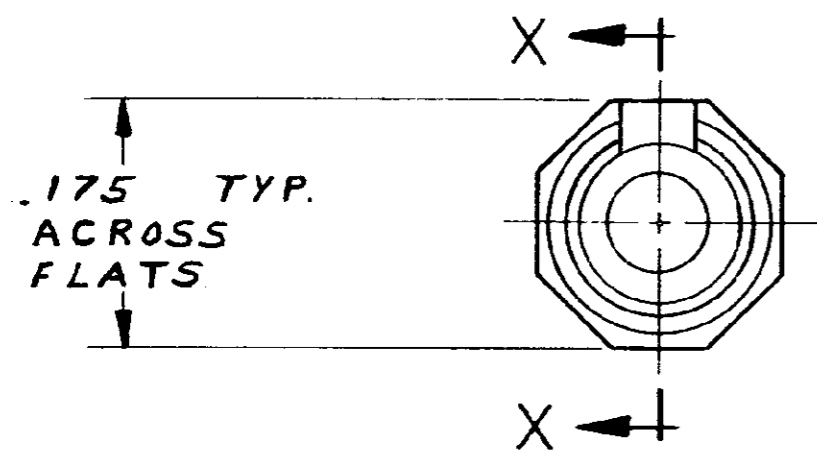


REVISIONS						
P	F	ZONE	LTR	DESCRIPTION	DATE	APPROVED
			P	REVISED PER ECO-11-005294	12APR11	HMR




531714-1 1, AS SHOWN



SECTION X-X

1. TO BE USED WITH PIN 531713-1

UNLESS OTHERWISE SPECIFIED DIMENSIONS ARE IN INCHES. TOLERANCES ON: DECIMALS ±.005 ANGLES ±			CONTRACT NO DR <i>M. Smith</i> 5-29-80 CHK <i>W. Hatcher</i> 7/29/80 APPD <i>W. Hatcher</i> 7/29/80 APPD <i>E. Parsons</i> 5/20/80		PART NO	
MATERIAL STAINLESS STEEL			FINISH PASSIVATED		 TE Connectivity NAME COMBINATION GUIDE, KEYING INSERT	
SIZE B			CODE IDENT NO 00779		DRAWING NO 531714	
SCALE 8-1			SHEET			

CUSTOMER DRAWING