

THIS DRAWING IS UNPUBLISHED. RELEASED FOR PUBLICATION
 © COPYRIGHT - By - ALL RIGHTS RESERVED.

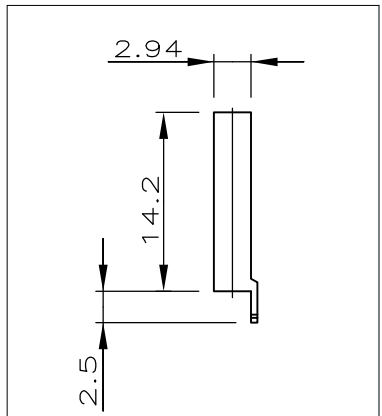
ÄNDERUNGEN DIE DEM TECHNISCHEN FORTSCHRITT DIENEN, BEHALTEN WIR UNS VOR

CAD-ORIGINAL
 ZEICHNUNG NICHT ÄNDERN

ZEICHNUNG GESCHÜTZT DURCH ©COPYRIGHT 1975
 AMP DEUTSCHLAND GMBH
 ALLE RECHTE VORBEHALTEN

LOC	DIST	REVISIONS			
P	LTR	DESCRIPTION	DATE	DWN	APVD
—	—	W Tolerance Value Change for L	6JAN12	MHM	RP

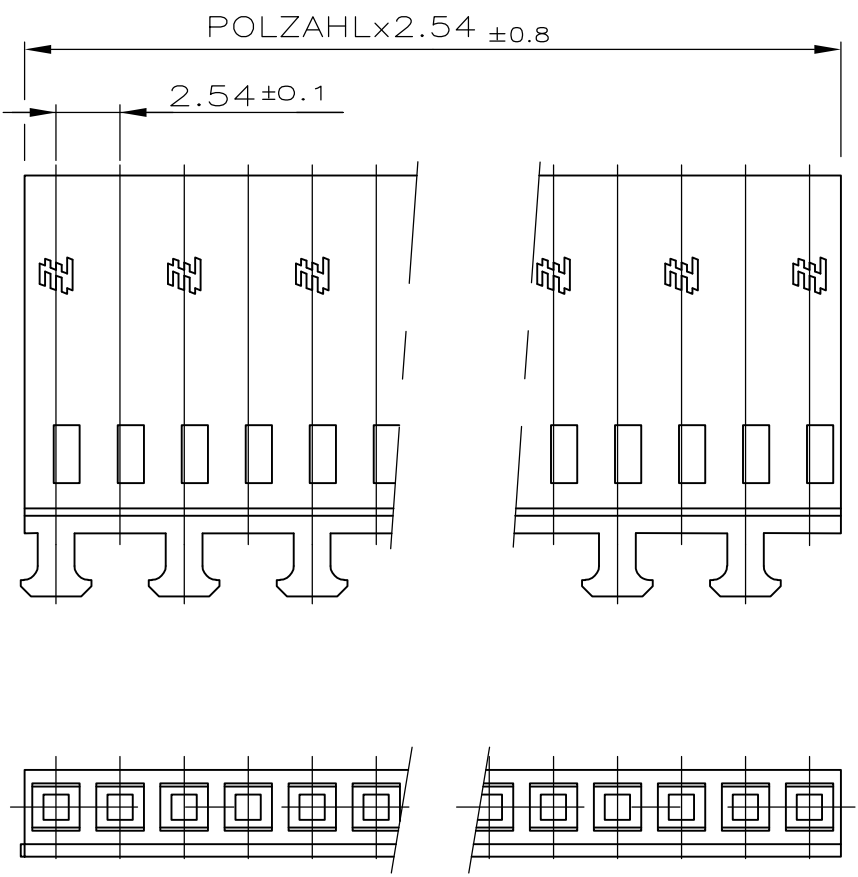
GEGENSTECKER/KONTAKT:
 MATED WITH: 825 433 167 301-4



EINREIHIG

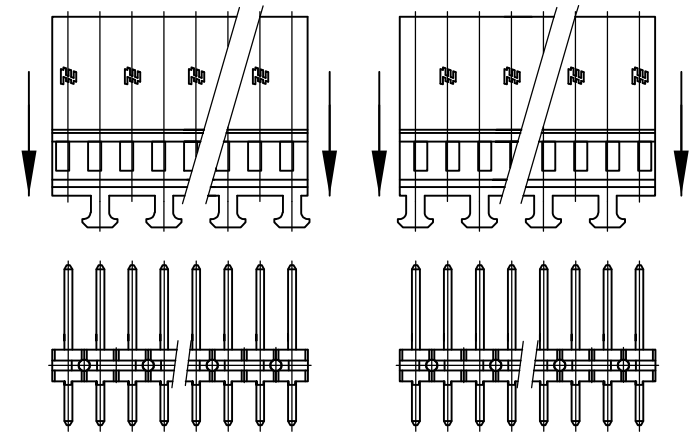
POLZ.	L±0.8	BESTELL-NR.
—	—	—
2	5.08	925 369 -2
3	7.62	-3
4	10.16	-4
5	12.70	-5
6	15.24	-6
7	17.78	-7
8	20.32	-8
9	22.86	-9
10	25.40	1- -0
11	27.94	1- -1
12	30.48	1- -2
13	33.02	1- -3
14	35.56	1- -4
15	38.10	1- -5
16	40.64	1- -6
17	43.18	1- -7
18	45.72	1- -8
19	48.26	1- -9
20	50.80	2- -0
21	53.34	2- -1
22	55.88	2- -2
23	58.42	2- -3
24	60.96	2- -4
25	63.50	2- -5
26	66.04	2- -6
27	68.58	2- -7
28	71.12	2- -8
29	73.66	2- -9
30	76.20	3- -0
31	78.74	3- -1
32	81.28	3- -2
33	83.82	3- -3
34	86.36	3- -4
35	88.90	3- -5
36	91.44	3- -6
37	93.98	3- -7
38	96.52	3- -8
39	99.06	3- -9
40	101.60	4- -0
41	104.14	4- -1
42	106.68	4- -2
43	109.22	4- -3
44	111.76	4- -4
45	114.30	4- -5
46	116.84	4- -6
47	119.38	4- -7
48	121.92	4- -8
49	124.46	4- -9
50	127.00	5- 925 369 -0

OBSOLETE
 OBSOLETE
 OBSOLETE
 OBSOLETE
 OBSOLETE
 OBSOLETE
 OBSOLETE
 OBSOLETE
 OBSOLETE
 OBSOLETE



OBSOLETE PARTS: OBSOLETE CIS STREAMLINING PER D.RENAUD/D.SINISI

RAST-NOPPENSTELLUNG WECHSELT PRODUKTIONSBEDINGT.
 NOPPEN VERRASTEN ENTSPRECHEND LINKS ODER RECHTS MIT STIFTLAISTE.
 POSITIONS OF LOCKING DEVICE CHANGED CONDITIONAL OF PRODUCTION.
 KNUPS LOCK ACCORDING ON THE LEFT OR RIGHT SIDE WITH PIN HEADER.



GRÜN RAL6011	WAR
OBERFLÄCHE FARBE	75-9226

THIS DRAWING IS A CONTROLLED DOCUMENT.

DIMENSIONS: mm	TOLERANCES UNLESS OTHERWISE SPECIFIED:
	0 PLC ± -
	1 PLC ± -
	2 PLC ± 0.2mm
	3 PLC ± -
	4 PLC ± -
	ANGLES ± -
MATERIAL PA 6.6	FINISH -

DWN DAHLHEIMER	05.12.75
CHK KREPP	-
APVD	-
PRODUCT SPEC	-
APPLICATION SPEC	-
WEIGHT	-
CUSTOMER DRAWING	

ZEICHNUNG GÜLTIG AB KW 32/95

STE TE Connectivity

NAME: AMPMODU IV GEHÄUSE, EINREIHIG

SIZE A3	CAGE CODE 00779	DRAWING NO C-925369	RESTRICTED TO -
SCALE -		SHEET 1 OF 1	REV W