

MODEL NUMBER
TRM-2054-MO-SMA-02

NOTES:

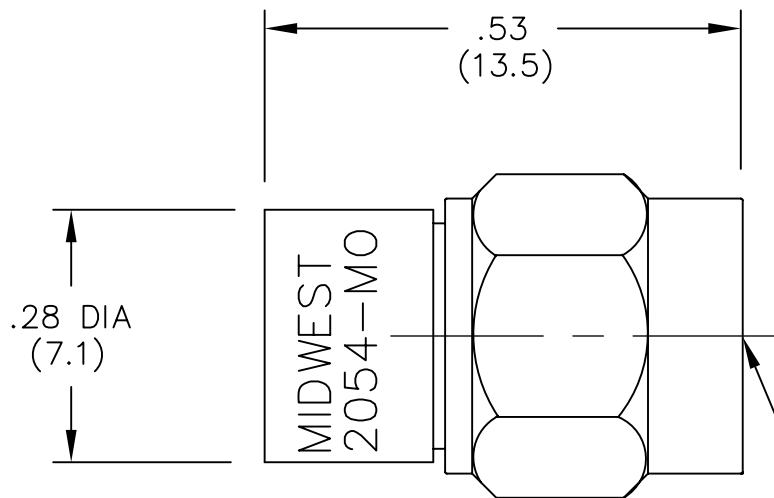
1.0 ELECTRICAL SPECIFICATIONS:

- 1.1 FREQUENCY RANGE: DC to 26.5 GHz
- 1.2 MAXIMUM INPUT POWER: 2 WATT AVG. @ +25°C
DERATED LINEARLY TO 1 WATT @ +125°C
- 1.3 TEMPERATURE RANGE:
OPERATING: -65°C to +125°C
STORAGE: -65°C to +125°C
- 1.4 IMPEDANCE: 50 OHMS
- 1.5 VSWR: DC to 18GHz: 1.05 +0.008f(GHz) MAX.
18.0 to 26.5GHz: 1.30:1 MAX.
- 1.6 WEIGHT: 0.12 Oz. (3.4 GRAMS)

2.0 MARKING:

MARK UNIT AS SHOWN
(REF: INK-02639-27-33)

3.0 DIMENSIONS IN PARENTHESIS ARE MILLIMETERS.



SMA MALE CONN.
PER MIL-PRF-39012

REV.	DESCRIPTION	DATE
-	RELEASED	6/17/93
A	ECN 15458	8/30/96
A1	ADDED TITLEBLOCK	10/27/05

NOTICE: The information contained in this drawing is proprietary and must not be used without the permission of Emerson Network Power.

UNLESS OTHERWISE NOTED DIMENSIONS ARE IN INCHES AND TOLERANCES ARE:
3 PLACE DECIMALS ±.005
2 PLACE DECIMALS ±.02
FRACTIONS ±1/64
PARALLELITY: T.I.R. _____
FLATNESS: T.I.R. _____
CONCENTRICITY: T.I.R. _____
ANGLES AND PERPENDICULARITY: ±1°

CAGE CODE 34078		MIDWEST MICROWAVE	
		TITLE TERMINATION OUTLINE DRAWING	
		DRAWN/DATE M.HOLLMAN 6/16/93	ENG./DATE G.KOZAK 6/17/93
CHECKED/DATE A.BEATTY 6/17/93	APPROVED/DATE	DRAWING NUMBER TRM-2054-MO-SMA-02-01	REV. A1
SCALE: 5=1		SHEET 1 of 1	