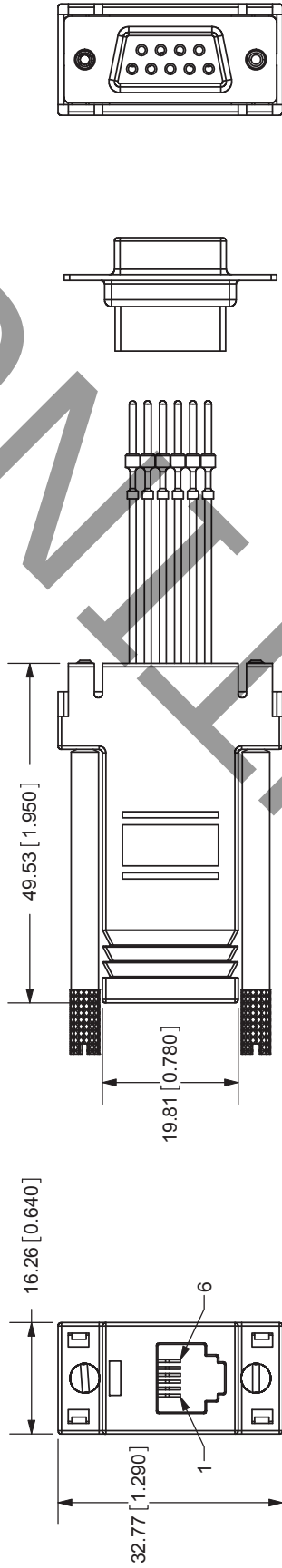


REV. A	DESCRIPTION NEW DRAWING	DATE 1/9/2008
-----------	----------------------------	------------------



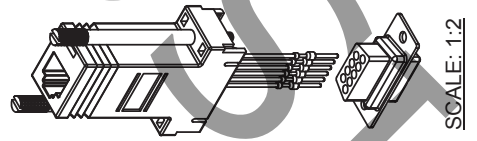
TOLERANCE:
±0.3mm UNLESS OTHERWISE
SPECIFIED



20050 SW 112th Ave.
Tualatin, OR 97062
Phone: 503-612-2300
800-275-4899
Fax: 503-612-2383
Website: www.cui.com

TITLE: MODULAR ADAPTER, RJ12 TO DB-09 MALE	REV: A
PART NO: AMK-0002	UNITS: MM [INCHES]
DRAWN BY: ZRJ	APPROVED BY:
	SCALE: 1:1

	MATERIAL	PLATING
DB-09 CONNECTOR	Steel	Tin
RJ12 CONTACTS	Phosphor Bronze	Gold over Nickel
CRIMP CONTACT	Brass	Gold over Nickel
THUMBSCREW	N/A	
HOUSING	Thermoplastic	94-0 Rated



WIRING CHART	WIRE COLOR
RJ12	
1	white
2	black
3	red
4	green
5	yellow
6	blue