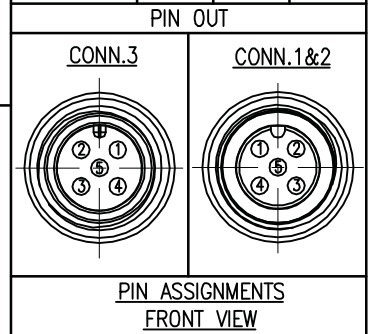


BLUE	5	5	5
WHITE	4	4	4
BLACK	3	3	3
RED	2	2	2
YELLOW	1	1	1
WIRE COLOR	CONN1.	CONN2.	CONN3.



NOTES:  
 1. WATERPROOF RATE: IP67  
 IP67: IMMERSED IN 1M WATER FOR 30 MINUTES  
 2. ELECTRICAL CHARACTERISTICS  
 TEMPERATURE RANGE: -40°C TO +100°C  
 RATING: 60V AC/DC 5A  
 DIELECTRIC WITHSTANDING VOLTAGE: 500V AC FOR ONE MINUTE

O	BODY	1	TPU(1164D)	BLACK
N	MALE PIN	5	BRASS	6u" GOLD PLATING OVER NICKEL PLATING
M	MALE SCREW NUT	1	BRASS	NICKEL PLATING 100u"
L	INNER MOLD	1	TPU	NATURAL
K	OVER MOLD	1	TPU	BLACK
J	ACETATE CLOTH	1	W10 *0.18T	BLACK
I	WIRE	3	UL1007 24AWG	BLUE
H	WIRE	3	UL1007 24AWG	WHITE
G	WIRE	3	UL1007 24AWG	BLACK
F	WIRE	3	UL1007 24AWG	RED
E	WIRE	3	UL1007 24AWG	YELLOW
D	O-RING	2	VITON	RED
C	FEMALE SCREW NUT	2	BRASS	NICKEL PLATING 100u"
B	FEMALE PIN	10	Phosphor Bronze	6u" GOLD PLATING OVER NICKEL PLATING
A	BODY	2	TPU(1164D)	BLACK
NO	DESCRIPTION	QTY	MATERIAL	PLATING & COLOR

UNLESS OTHERWISE SPECIFIED TOLERANCES

CnC Tech, LLC

DECIMALS:	ANGLES:	TITLE	M12 T-ADAPTOR 5PIN(5A)		
X :±0.5	X :±2°	DWN	Shawn	PART NO.	500-303T-W05
X.X :±0.3	X.X :±1'	CHKD	JF	SCALE 2:1	UNIT: mm
X.XX :±0.2		APVD	Quan	SIZE: A3	SHEET: 1 OF 1
					REV: B

CUSTOMER COPY