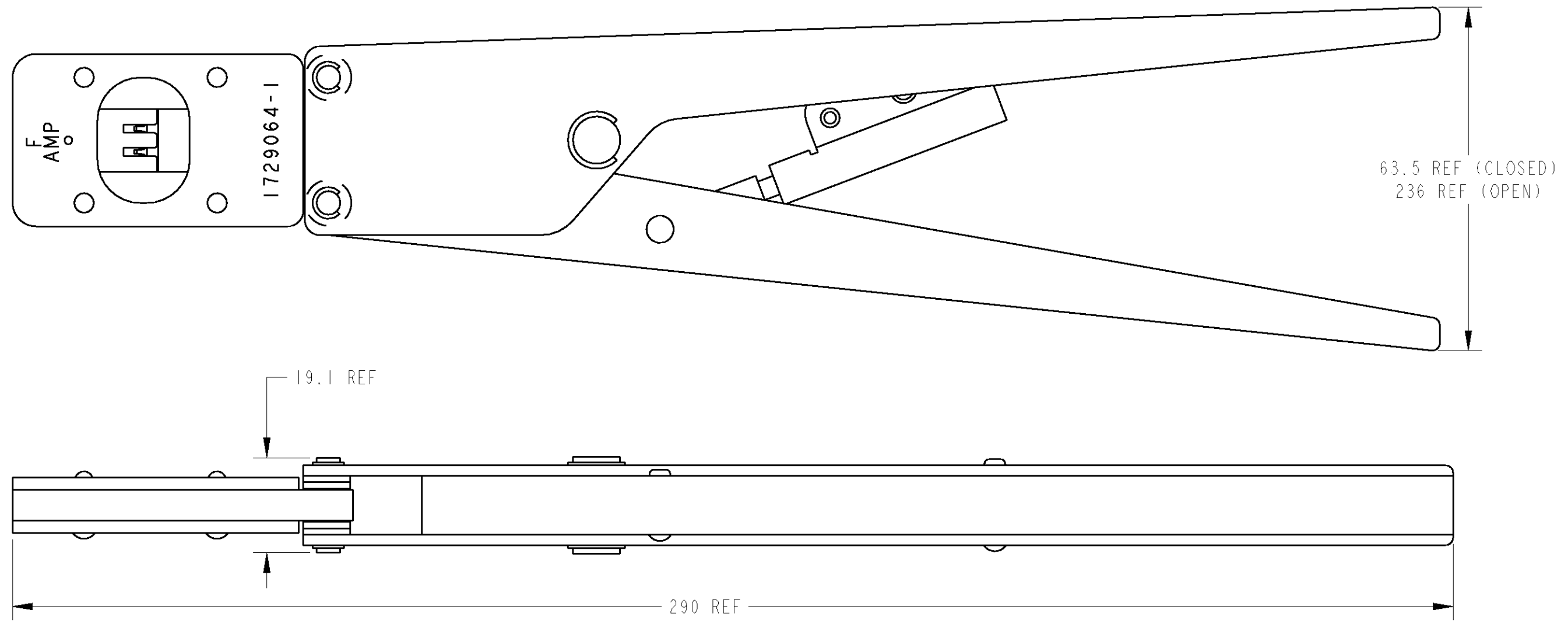


THIS DRAWING IS UNPUBLISHED. RELEASED FOR PUBLICATION 20
 © COPYRIGHT 20 BY TYCO ELECTRONICS CORPORATION. ALL RIGHTS RESERVED.

LOC	DIST	REVISIONS					
		P	LTR	DESCRIPTION	DATE	DWN	APVD
J	-	0		RELEASED FJCO-0180-03	25-Jun-03	J.K	S.Y



CRIMP SYMBOL	TERMINAL NO	WIRE SIZE AWG(mm ²)	INS RANGE (mm)	TERMINAL CH(mm)		IS NO	APPL SPEC	WEIGHT (g)
	STRIP			WIRE	INS			
圧着部記号	適用端子型番	電線サイズ	絶縁被覆径	圧着高さ		取扱説明書番号	取付適用規格	重量
	連鎖状			芯線部	被覆部			
A	1376347-1	#20-18 (0.51-0.89)	2.0-2.7	1.00-1.10	3.0REF	411-78104	114-5292	550
B		#16 (1.27-1.38)	2.4-3.1	1.26-1.39	3.2REF			

THIS DRAWING IS A CONTROLLED DOCUMENT FOR TYCO ELECTRONICS CORPORATION. IT IS SUBJECT TO CHANGE AND THE CONTROLLING ENGINEERING ORGANIZATION SHOULD BE CONTACTED FOR THE LATEST REVISION.

DIMENSIONS: mm	TOLERANCES UNLESS OTHERWISE SPECIFIED: 0 PLC ± 1 PLC ± 2 PLC ± 3 PLC ± 4 PLC ± ANGLES ±	DWN J.KOGA 25-Jun-03 CHK J.KOGA 25-Jun-03 APVD S.YABE 25-Jun-03	Tyco Electronics AMP K.K. Kawasaki, Japan	
MATERIAL	FINISH	PRODUCT SPEC - APPLICATION SPEC - WEIGHT -	NAME STRAIGHT ACTION HAND TOOL (5.0 Power Key Contact, #20-16)	
		CUSTOMER DRAWING	SIZE A3	RESTRICTED TO -
			CAGE CODE 00779	DRAWING NO C-1729064-1
			SCALE -	SHEET 1 OF 1 REV 0