

Model No: D26NC56-06
 Product Line: Tymphany

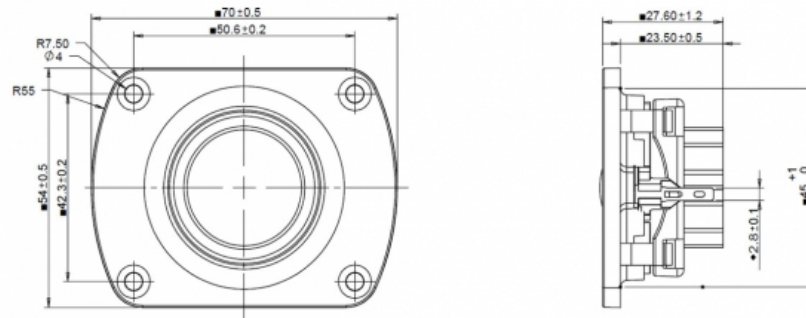
Rev: 1
 Last Update: 2017-04-21 12:39:42

Product Description

This D family tweeter features a 6 ohm 25mm voice coil, a treated silk dome for smooth frequency response performance, and ferrofluid in the gap of the neodymium magnet motor, providing enhanced cooling of the voice coil. The tweeter comes with a faceplate with recessed mounting holes, for easy installation into the desired application.



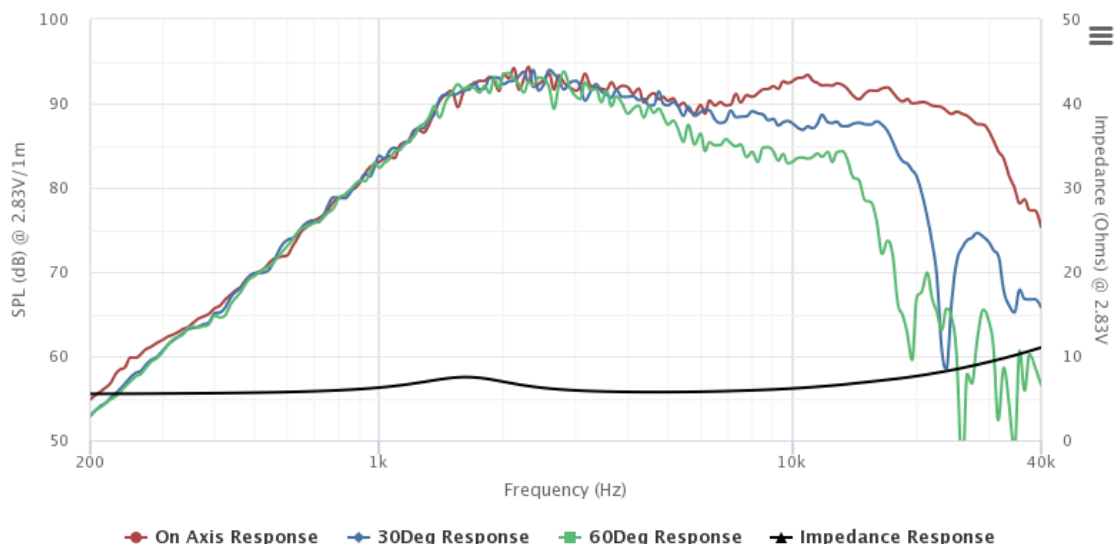
Mechanical Drawing



Specifications

DC Resistance	Revc	Ohms	4.68	5.0%	Energy Bandwidth Product	EBP	(1/Qes)*fs
Minimum Impedance	Zmin	Ohms	5.74	7.5%	Moving Mass	Mms	g
Voice Coil Inductance	Le	mH	0.02		Suspension Compliance	Cms	um/N
Resonant Frequency	Fs	Hz	1625.32	15%	Effective Cone diameter	D	cm
Mechanical Q Factor	Qms		1.33		Effective Piston Area	Sd	cm ²
Electrical Q Factor	Qes		3.59		Effective Volume	Vas	L
Total Q Factor	Qts		0.97		Motor Force Factor	BL	Tm
Ratio Fs/Qts	F	Fs/Qts	1679.05		Motor Efficiency Factor	β	(T ² M ²)/Ohms
Half Space Sensitivity @2.83V	db@2.83V/1M	dB	90.74	+/- 1.0db	Voice coil former Material	VCfm	ASV
Half Space Sensitivity @1W/1M	db@1W/1M	dB	89.3	+/- 1.0db	Voice coil inner diameter	VCd	mm
Gap Height	Gh	mm	2.5		Rated Noise Power	P	W
Maximum Linear Excursion	Xmax	mm	0.5		Test Spectrum Bandwidth		2.5K-20K
Ferrofluid Type	FF		APG087		Driver Size	Inch	1 in
Driver Mass	Kg		0.08				

Frequency and Impedance Response



Highcharts.com