

MODEL:

SRW08U22

8U/12U/22U Expandable Wall-Mount Open Frame Rack



8U/12U/22U Rack Units



Expandable Design



150 lb. Load Rating



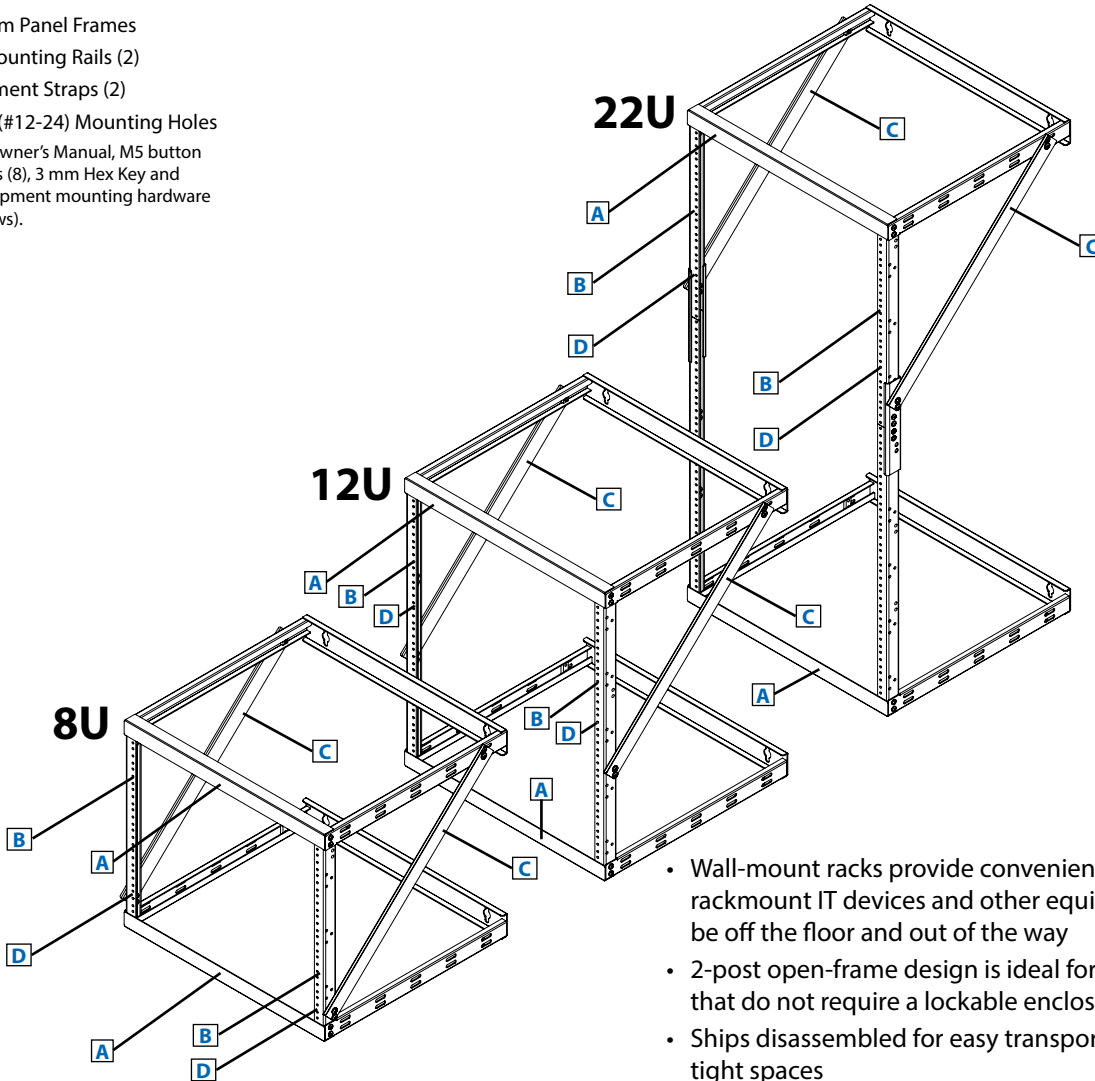
Accommodates Standard 19-inch Equipment



Sturdy Steel Construction

- A** Top/Bottom Panel Frames
- B** Vertical Mounting Rails (2)
- C** Reinforcement Straps (2)
- D** Threaded (#12-24) Mounting Holes

Also Includes: Owner's Manual, M5 button head cap screws (8), 3 mm Hex Key and rackmount equipment mounting hardware (24 #12-24 screws).



- Wall-mount racks provide convenient storage for rackmount IT devices and other equipment that should be off the floor and out of the way
- 2-post open-frame design is ideal for IT environments that do not require a lockable enclosure cabinet
- Ships disassembled for easy transport and assembly in tight spaces
- Expandable design assembles in 8U, 12U or 22U configuration to meet current needs
- Threaded (#12-24) mounting holes enable fast equipment mounting
- Ideal for cost-conscious 19-inch rackmount applications

SEE NEXT PAGE FOR DETAILED UNIT MEASUREMENTS

Specifications

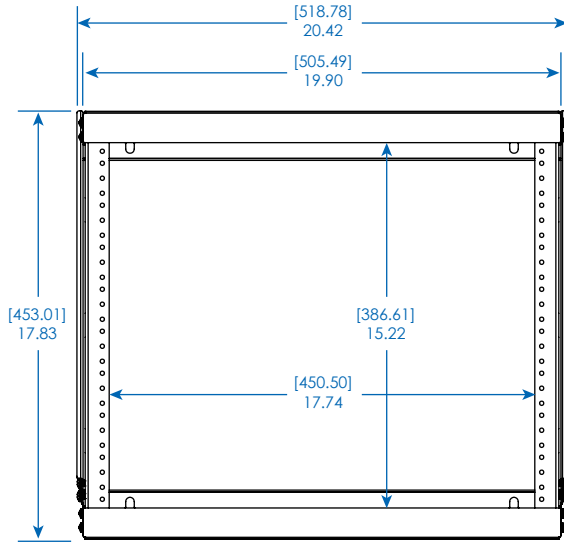
Model	SRW08U22
Rack Spaces	8U/12U/22U Adjustable
Equipment Mounting Depth	18 in. [452 mm]
Load Rating*	150 lb. [68 kg]
Unit Dimensions (H x W x D)	17.8 (8U)/24.8 (12U)/42.3 (22U) x 20.1 x 18.24 in. [452/630/1074 x 510 x 463 mm]
Shipping Dimensions (H x W x D)	3.7 x 22.8 x 21.8 in. [94 x 579 x 554 mm]
Unit Weight	11.21 lb. (8U)/12.23 lb. (12U)/15.03 lb. (22U) [5.1/5.5/6.8 kg]
Shipping Weight	18.6 lb. [8.4 kg]
Standards	Meets EIA-310-D, IEC 60297-3-100, NOM (Mexico) and RoHS standards

* The load rating includes the combined weight of the unit and installed equipment. The unit must be mounted to a stable surface with user-supplied anchors capable of bearing the full load.

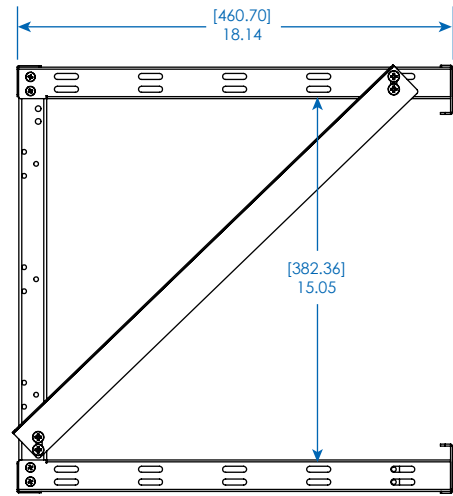


1111 W. 35th Street
Chicago, IL 60609 USA
773.869.1234
www.tripplite.com

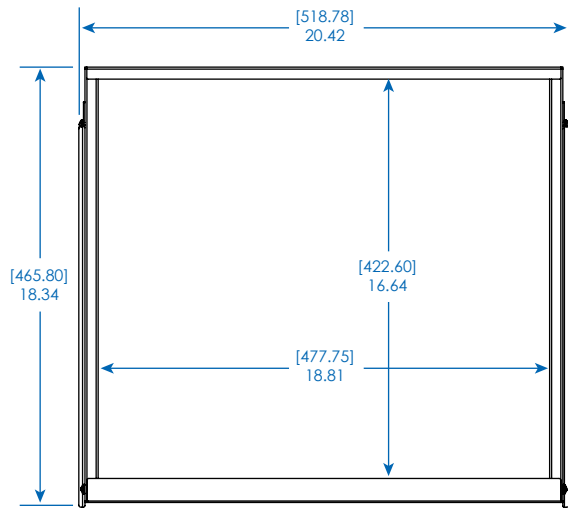
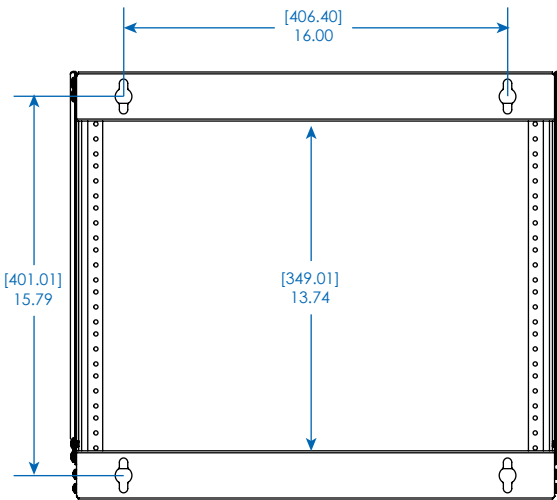
8U



FRONT VIEW



SIDE VIEW

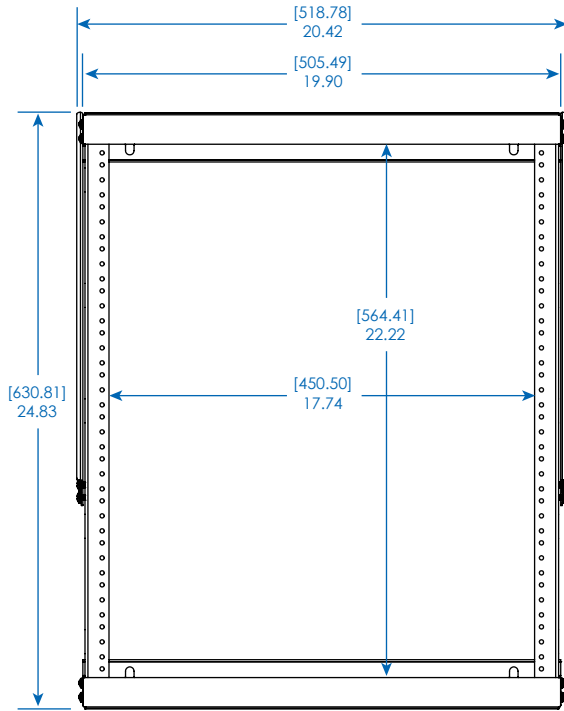


Dimensions: [mm] INCHES

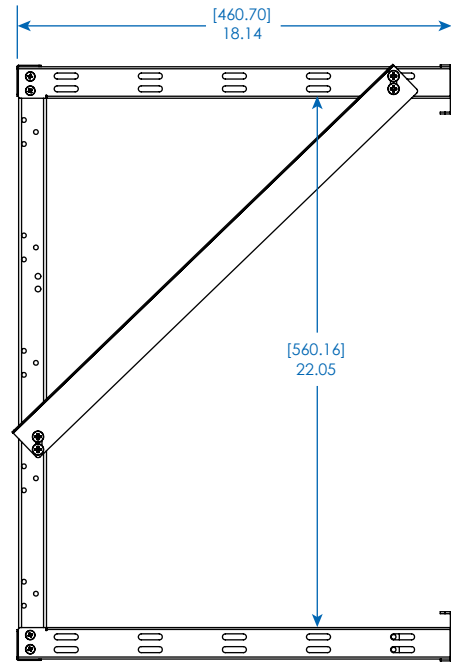
Tripp Lite has a policy of continuous improvement. Specifications are subject to change without notice.

MODEL:
SRW08U22
TRIPP-LITE

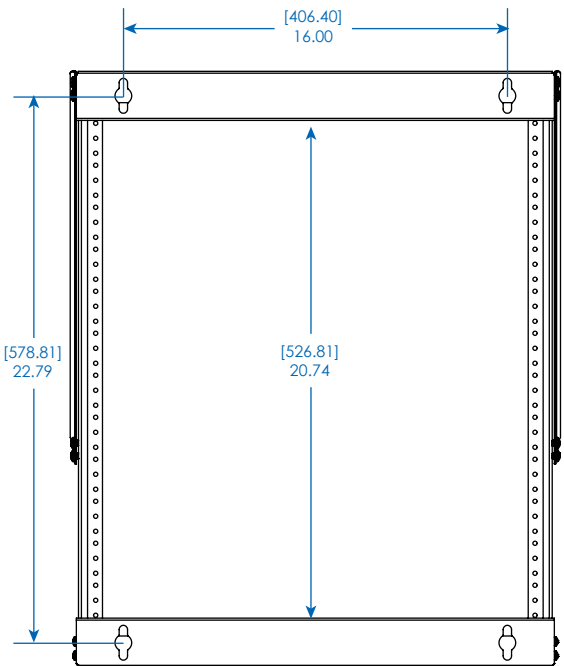
12U



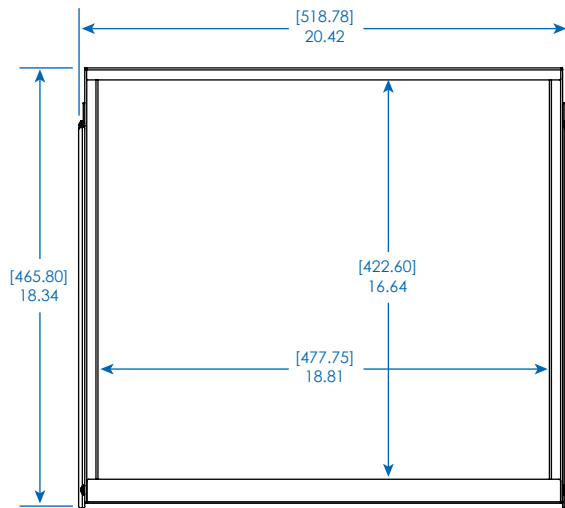
FRONT VIEW



SIDE VIEW



REAR VIEW



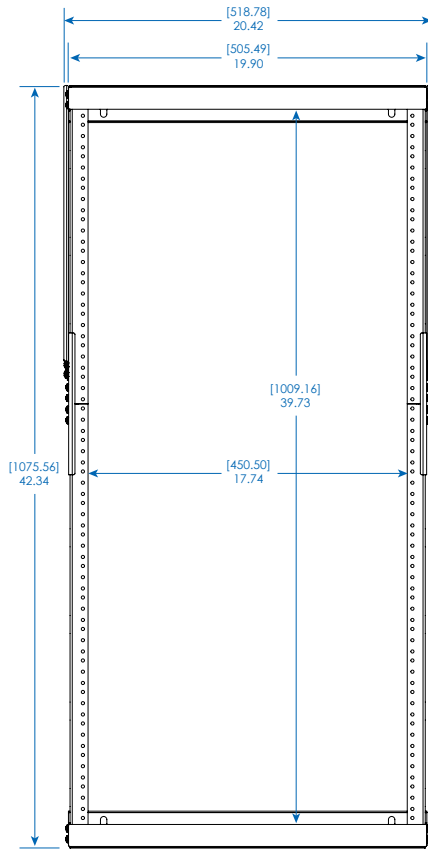
TOP VIEW

Dimensions: [mm] INCHES

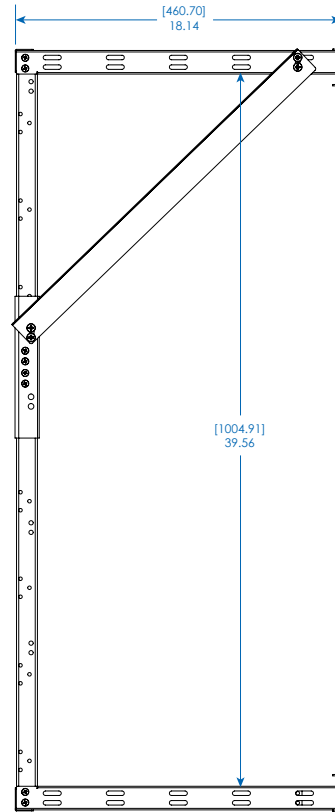
Tripp Lite has a policy of continuous improvement. Specifications are subject to change without notice.

MODEL:
SRW08U22
TRIPP-LITE

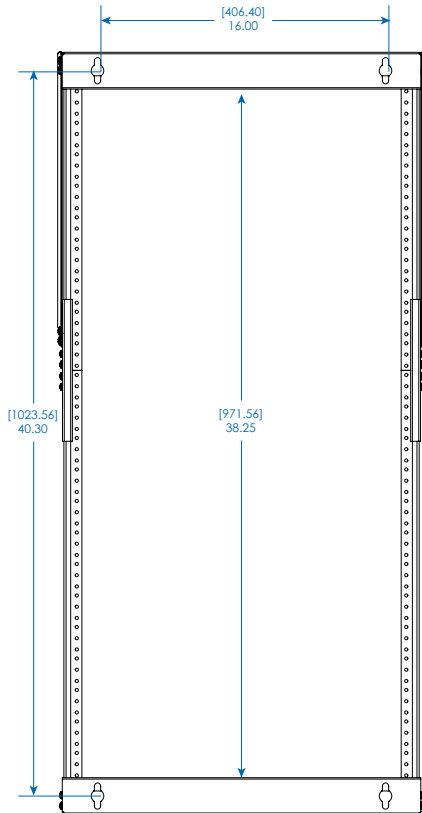
22U



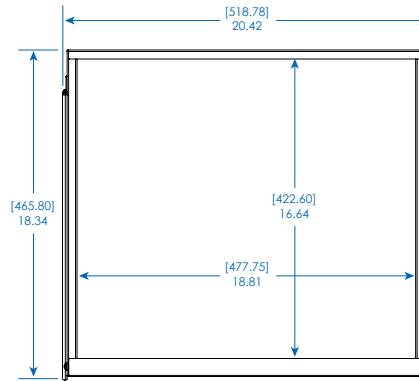
FRONT VIEW



SIDE VIEW



REAR VIEW



TOP VIEW

Dimensions: [mm] INCHES

Tripp Lite has a policy of continuous improvement. Specifications are subject to change without notice.

MODEL:
SRW08U22
TRIPP·LITE

1111 W. 35th Street
Chicago, IL 60609 USA
773.869.1234
www.tripplite.com