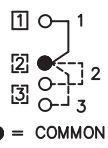
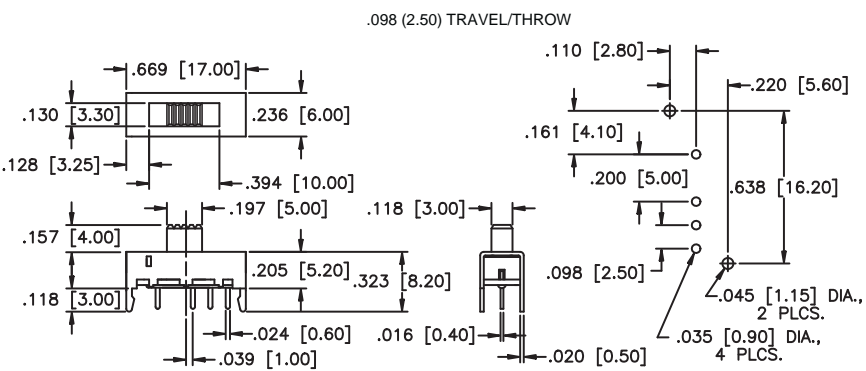
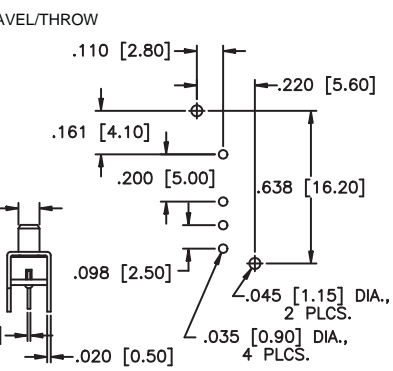
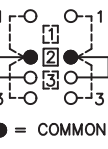
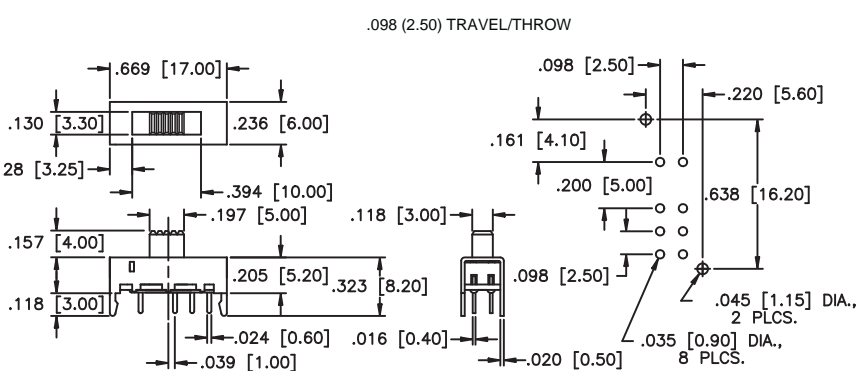
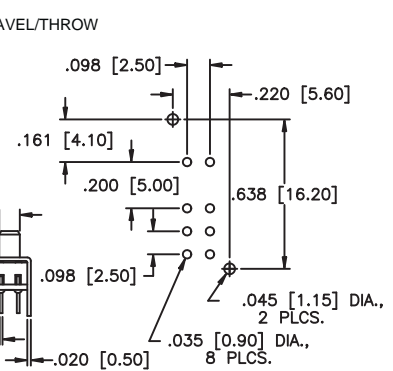


# MSTS Series

## Miniature Slide Switches

SPECIFICATIONS SUBJECT TO CHANGE WITHOUT NOTICE

SPECIFICATIONS	FEATURES
<p><b>Contact rating:</b> 300 mA at 28 VDC</p> <p><b>Initial contact resistance:</b> 20 milliohms max.</p> <p><b>Insulation resistance:</b> 100 megohms min. at 500 VDC</p> <p><b>Dielectric strength:</b> 500 VAC for 1 minute</p> <p><b>Electrical life:</b> 10,000 cycles min.</p> <p><b>Operating temperature range:</b> -20°C to +85°C</p> <p><b>Solder heat resistance:</b> 250°C max. for 5 seconds</p> <p><b>Actuation force:</b> 200-600 grams</p> <p><b>Solvent washing permissible</b></p>	<ul style="list-style-type: none"> <li>Miniature compact size.</li> <li>Wash-through open frame construction.</li> <li>Snap-in p.c. mounting bracket design.</li> <li>Positive spring loaded ball detent mechanism.</li> <li>Epoxy sealed terminals.</li> <li>Gold plated contacts available - consult factory.</li> </ul>
MATERIALS	
<p><b>Contacts &amp; terminals:</b> Silver plated brass</p> <p><b>Housing:</b> Zinc plated steel</p> <p><b>Actuator:</b> Polyacetal, color black</p> <p><b>Base:</b> Phenolic laminated sheet</p>	<p><b>Terminal seal:</b> Epoxy</p>

MODEL NO.			
<b>MSTS1332K</b>	<h3>1P3T</h3>  <p>● = COMMON</p>	 <p>MECHANICAL OUTLINE</p>	 <p>P.C. BOARD LAYOUT</p>
<b>MSTS2332K</b>	<h3>2P3T</h3>  <p>● = COMMON</p>	 <p>MECHANICAL OUTLINE</p>	 <p>P.C. BOARD LAYOUT</p>
VERTICAL ACTUATOR	VERTICAL ACTUATOR		
VERTICAL ACTUATOR	VERTICAL ACTUATOR		