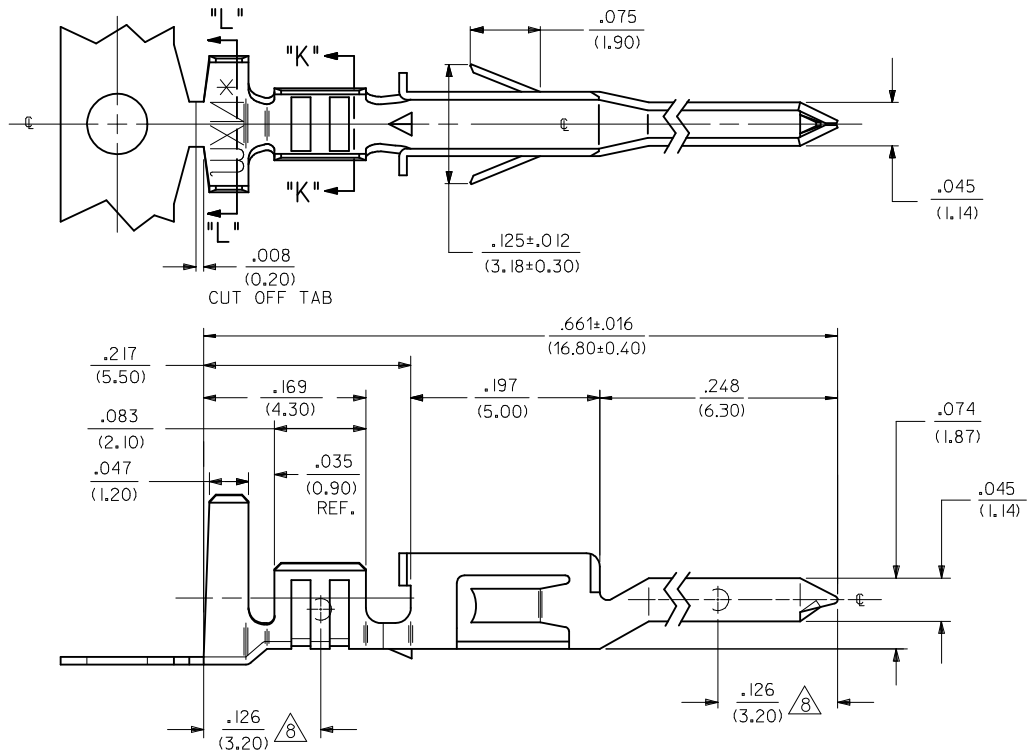
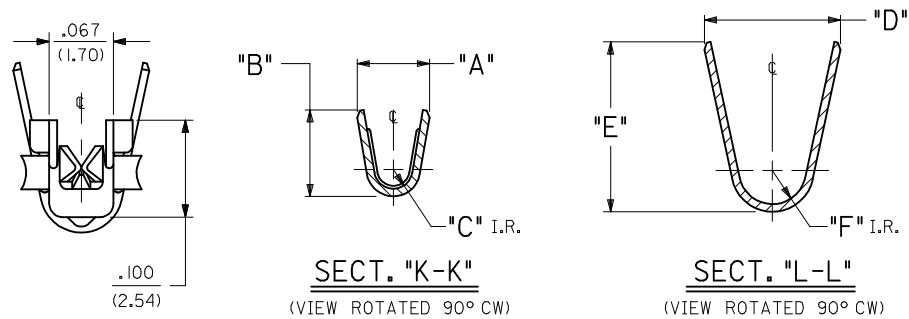


ITEM NO.	FORM	WIRE GAGE	RANGE OF INSULATION DIA.	DIM. "A"	DIM. "B"	DIM. "C"	DIM. "D"	DIM. "E"	DIM. "F"	FINISH (SEE NOTE 2)
46012-1141	CHAIN	18-20 GA.	.051-.122 (1.30-3.10)	.075±.012	.091±.016	.020	.142±.012	.177±.016	.035	FINISH 1 - BRIGHT TIN OVER NICKEL
46012-1142	LOOSE			(1.90±.30)	(2.30±.40)	(.50)	(3.60±.30)	(4.50±.40)	(.90)	
46012-3141	CHAIN	16 GA.	.122 (3.10) MAX.	.091±.012	.106±.016	.024	.142±.012	.177±.016	.035	FINISH 2 - SEL. GOLD AND SEL. MATTE TIN OVER NICKEL
46012-3142	LOOSE			(2.30±.30)	(2.70±.40)	(.60)	(3.60±.30)	(4.50±.40)	(.90)	
46012-1241	CHAIN	18-20 GA.	.051-.122 (1.30-3.10)	.075±.012	.091±.016	.020	.142±.012	.177±.016	.035	FINISH 2 - SEL. GOLD AND SEL. MATTE TIN OVER NICKEL
46012-1242	LOOSE			(1.90±.30)	(2.30±.40)	(.50)	(3.60±.30)	(4.50±.40)	(.90)	
46012-3241	CHAIN	16 GA.	.122 (3.10) MAX.	.091±.012	.106±.016	.024	.142±.012	.177±.016	.035	FINISH 2 - SEL. GOLD AND SEL. MATTE TIN OVER NICKEL
46012-3242	LOOSE			(2.30±.30)	(2.70±.40)	(.60)	(3.60±.30)	(4.50±.40)	(.90)	



- NOTES:
- MATERIAL:  
COPPER ALLOY .0080/(.203) THICK.
  - FINISH:  
1= .000100/(0.00254) MIN. BRIGHT TIN OVER .000050/(0.00127) MIN NICKEL OVERALL.  
2= .000030/(.00076) MIN SELECT GOLD IN CONTACT AREA AND .000100/(0.00254) MIN SELECT MATTE TIN IN CRIMP AREA OVER .000050/(0.00127) MIN NICKEL OVERALL.  
GOLD PLATING RECOMMENDED FOR APPLICATIONS WHERE FRETTING CORROSION IS A CONCERN.
  - PRODUCT SPECIFICATION: PS-45750-001
  - PACKAGING SPECIFICATION: PK-46012-001 FOR CHAIN TERMINALS  
PK-5556-003 FOR LOOSE TERMINALS.
  - TERMINAL MATES WITH FEMALE TERMINAL SERIES 45750 AND IS FOR USE WITH MOLEX PLUG HOUSINGS 5559, 42475, 43770 AND 30068.
  - THIS TERMINAL IS DESIGNED FOR SINGLE WIRE CRIMPING.
  - WHEN TERMINALS ARE INSTALLED IN THE HOUSINGS, THE WIRES ARE TO BE DRESSED IN SUCH A MANNER TO ALLOW THE TERMINALS TO FLOAT FREELY IN THE POCKETS.



**LEGEND:**

46012 - \* \* 4 \*

BASE NO. \_\_\_\_\_

WIRE GAGE  
1= 18-20  
3= 16

CHAIN OR LOOSE  
1= CHAIN  
2= LOOSE

PLATING  
1= TIN  
2= GOLD

REV	DESCRIPTION	DATE	APPROVED
D4	UPDATE NOTE 5	2014/04/24	JCOMERC I
	EC NO: UCP2014-4406	2014/04/24	
	DRWN:JBELL	2014/04/24	
	CHKD:JBELL	2014/04/24	
	APPR:FSMITH	2015/07/17	

QUALITY SYMBOLS		GENERAL TOLERANCES (UNLESS SPECIFIED)		DIMENSION STYLE		SCALE	DESIGN UNITS	THIRD ANGLE PROJECTION	
▽=0	▽=0	mm	INCH	IN/MM			METRIC		
▽=0	▽=0	4 PLACES ± ---	± ---	DRAWN BY	DATE	TITLE	TERM., MALE, CRIMP MINI-FIT JR. HCS PLUS SERIES		
▽=0	▽=0	3 PLACES ± ---	± .010	TGREGORI	2005/07/28				
		2 PLACES ± 0.25	± .015	CHECKED BY	DATE	DOCUMENT NO.	SD-46012-001	SHEET NO. 1 OF 1	
		1 PLACE ± 0.38	± ---	GPOLGAR	2005/07/28				
		0 PLACE ±	±	APPROVED BY	DATE	<b>molex</b>			
		ANGULAR ±1/2°		JCOMERC I	2005/07/28				
DRAFT WHERE APPLICABLE MUST REMAIN WITHIN DIMENSIONS		SEE CHART		MATERIAL NO.		THIS DRAWING CONTAINS INFORMATION THAT IS PROPRIETARY TO MOLEX INCORPORATED AND SHOULD NOT BE USED WITHOUT WRITTEN PERMISSION			