

4

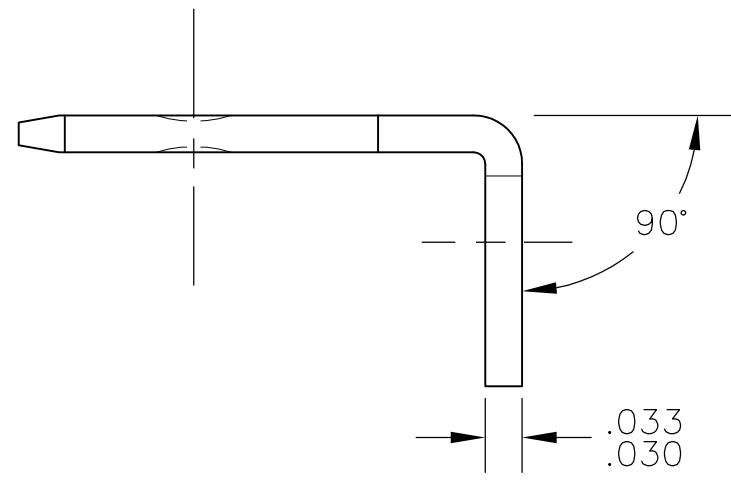
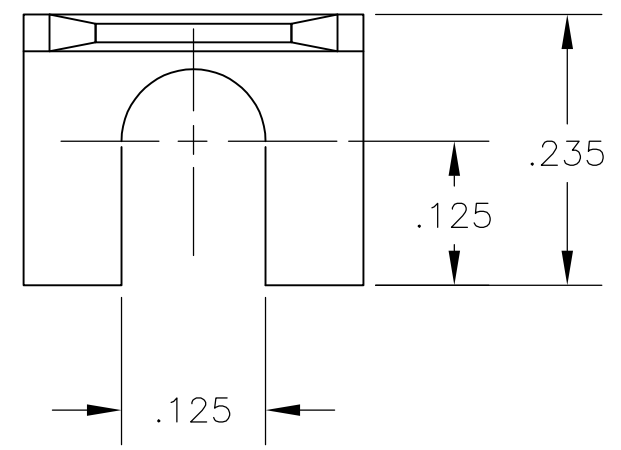
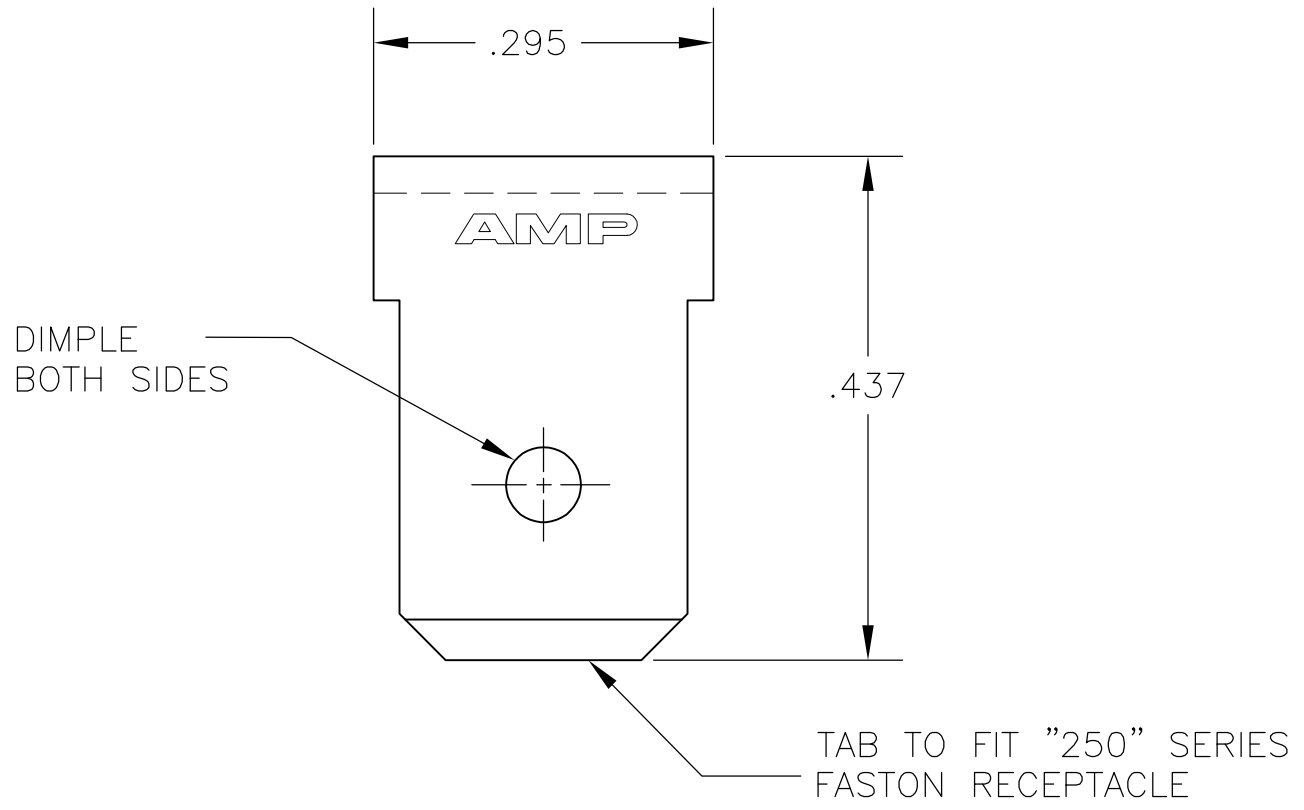
3

2

1

THIS DRAWING IS UNPUBLISHED. RELEASED FOR PUBLICATION  
 © COPYRIGHT - By - ALL RIGHTS RESERVED.

LOC	DIST	REVISIONS					
AF	50	P	LTR	DESCRIPTION	DATE	DWN	APVD
			F	REVISED PER ECR-13-011489	10DEC2013	KH	PD



PLAIN	41398
FINISH	PART NO

THIS DRAWING IS A CONTROLLED DOCUMENT.		DWN RAGHAVENDRA 4/11/06	TE Connectivity .250 SERIES FASTON TAB				
DIMENSIONS: INCHES		CHK MS FEHER 10/9/91				NAME	
		APVD R BEAVER 10/9/91				PRODUCT SPEC	
TOLERANCES UNLESS OTHERWISE SPECIFIED:		APVD				APPLICATION SPEC	
0 PLC ± - 1 PLC ± - 2 PLC ± .015 3 PLC ± - 4 PLC ± - ANGLES ± 1°		WEIGHT -	SIZE A3	CAGE CODE 00779	DRAWING NO C-41398	RESTRICTED TO -	
MATERIAL BRASS		FINISH SEE TABLE	CUSTOMER DRAWING		SCALE 6:1	SHEET 1 OF 1	REV F