

1

2

3

4

5

6

7

A

B

C

D

E

F

G

H

A

B

C

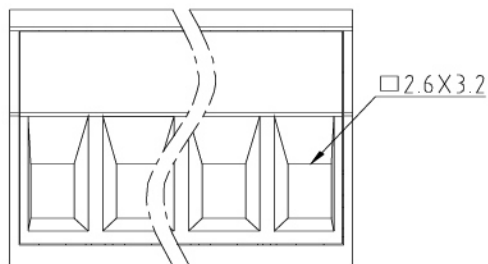
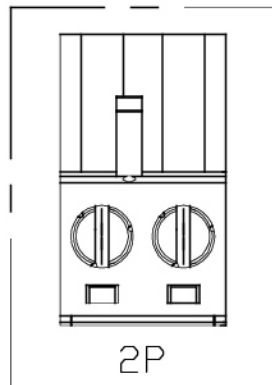
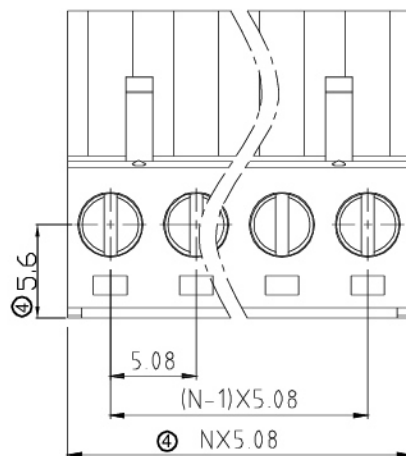
D

E

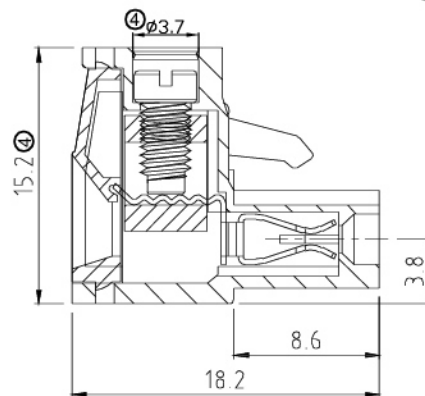
F

G

H



N=Number of contacts



④ Technical Data:

Material:

Contact(metal housing): Copper Alloy with Ni plated

Terminal screw: Steel galvanized with Cr3+ plated with "-" SCREW

Wire guard: Copper Alloy, Tin plated.

Insulator body(housing): Polyamide(UL94 V-0) Green

Electrical

Voltage rating: 300VAC

Current rating: 16 Amps/way max

Contact resistance: 20mΩ(max)

Withstanding Voltage: 2500VAC(1min) Test time=60sec/1pcs

Wire range: 12-26AWG

Mechanical:

Torque: 5.0kgf cm/M3

Operating temperature: -40°C to +105°C

Soldering reliability:

Test temperature= 250°C±10°C 5 seconds max

RoHS compliant



File No.: E349947

Scale	Free					Date	Name	Customer-No.
TOLERANCE		⑤	Update UL	23.03.2017	C.Bakula	Drawn	10.12.2009	Dean
X.	±0.50	④	Re-drawn	01.11.2016	Winnie	Approved	01.11.2016	Winnie
X.X	±0.30	③	Add the UL File No.	19.04.2016	Winnie			
X.XX	±0.20	②	Updated drawing	15.10.2010	Rale			
DIM	TOL	①	Drawn	10.12.2009	Dean			
X.°	±1°							
Angle	TOL	Id.	Modification	Date	Name			

Customer-No.

ASSMANN WSW-No.

A-TB508-TJxxD

Drawing-No.

ASS 3911 CO

rev05

Replace

Sheet

1

2

3

4

5

6

7

SV2088