

4

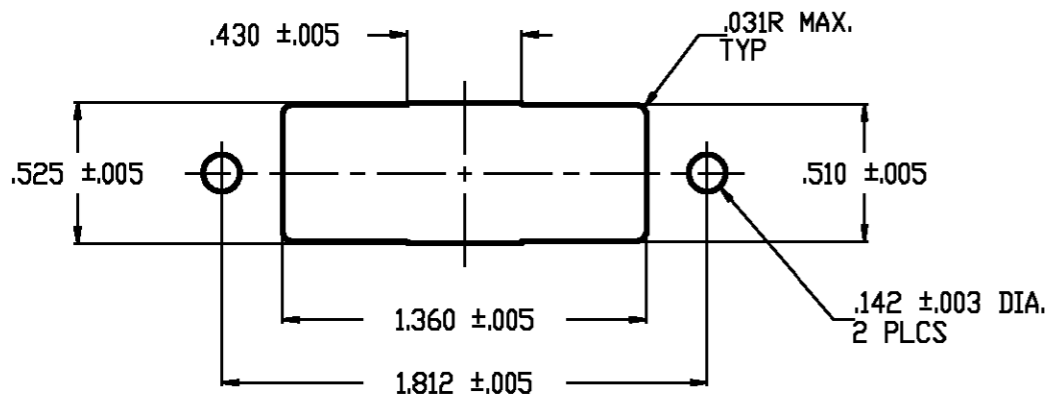
3

2

1

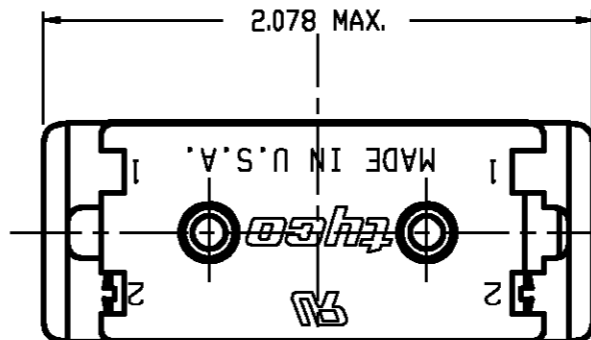
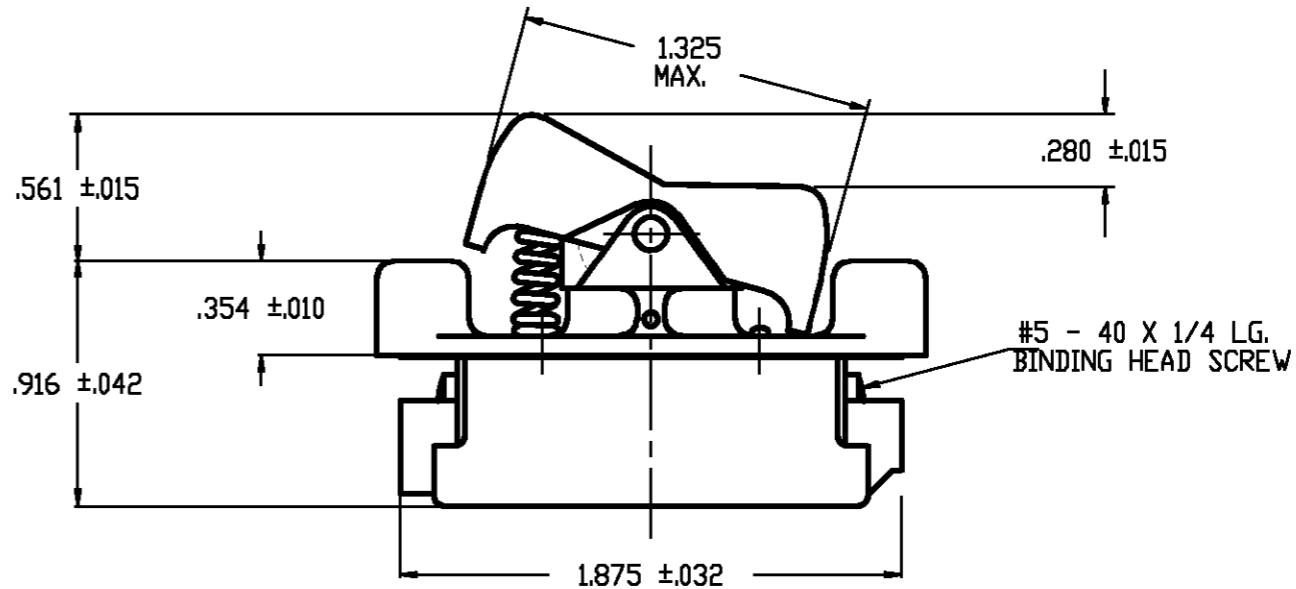
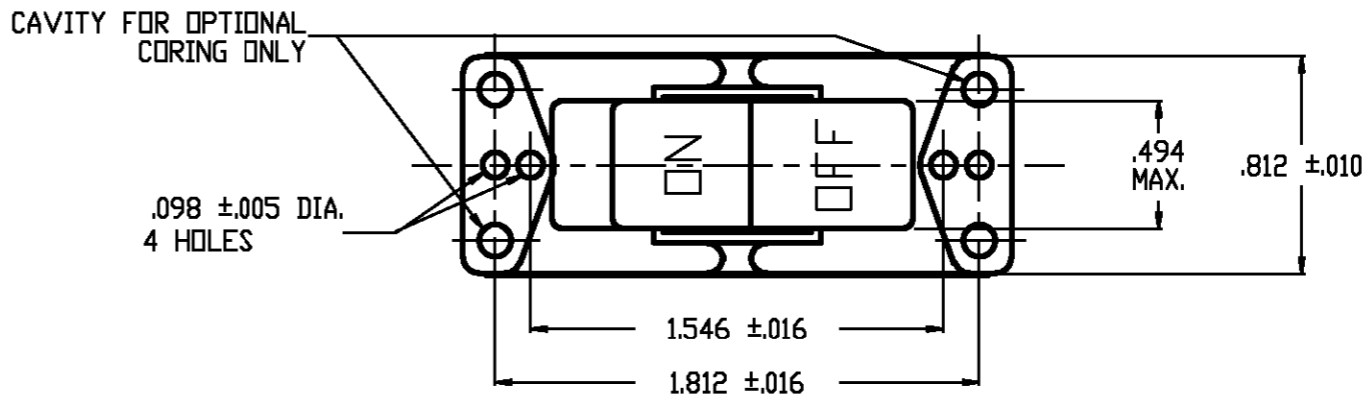
THIS DRAWING IS UNPUBLISHED. RELEASED FOR PUBLICATION
© COPYRIGHT BY TYCO ELECTRONICS CORPORATION. ALL RIGHTS RESERVED.

LOC	DIST	REVISIONS					
AD	00	P	LTR	DESCRIPTION	DATE	DWN	APVD
		A		ECOG3G-0016-01	25MAY01	WL	WBH



PANEL CUTOUT

NOTE:
1. SWITCH RATED AT 8A 250V 16A 125V 1HP 125V.



91-572

TYCO NO. 1520238-9
(ARAB NO. 8909K13)

THIS DRAWING IS A CONTROLLED DOCUMENT.		DWN W. HANSON 12SEP95	Tyco Electronics Corporation Arab, AL 35016	
DIMENSIONS: INCHES		CHK W. Leonard 13SEP95	NAME ALL PLASTIC ROCKER SWITCH	
TOLERANCES UNLESS OTHERWISE SPECIFIED:		APVD M.R. DUMMER 13SEP95	PRODUCT SPEC -	
0 PLC ± -		APPLICATION SPEC -	RESTRICTED TO -	
1 PLC ± -		WEIGHT -	SIZE A3	CAGE CODE 00779
2 PLC ± -		CUSTOMER DRAWING	DRAWING NO 1520238	
3 PLC ± -			SCALE 1:1	
4 PLC ± -		SHEET 4 OF 4		REV A
ANGLES ± -				
FINISH -				

4

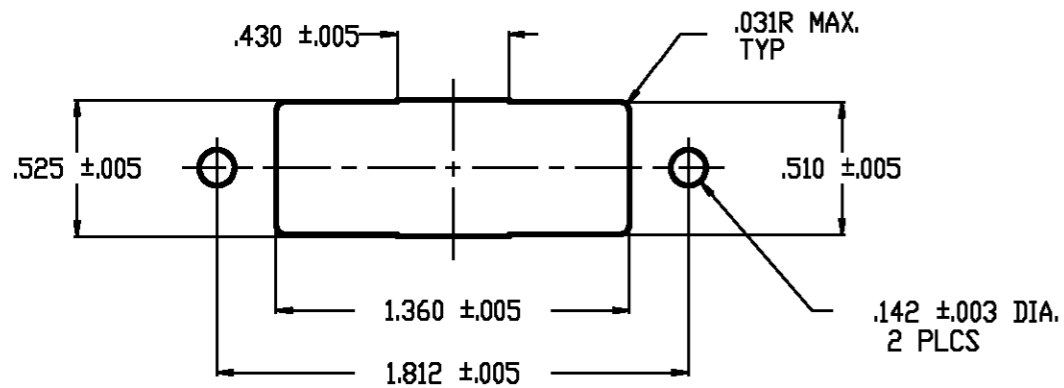
3

2

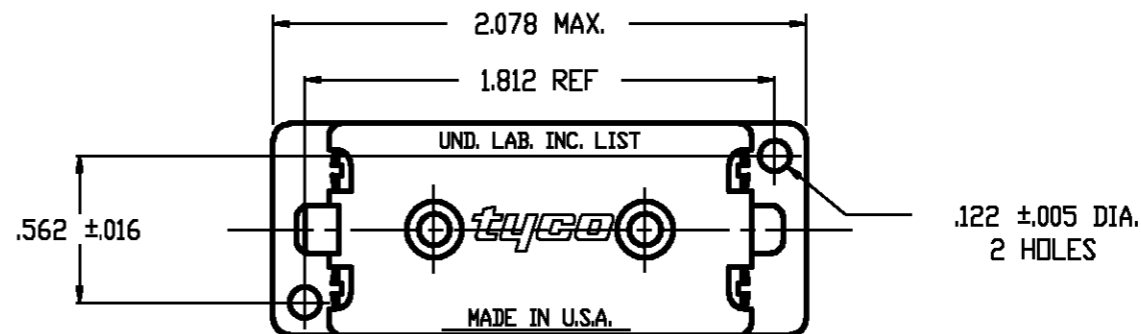
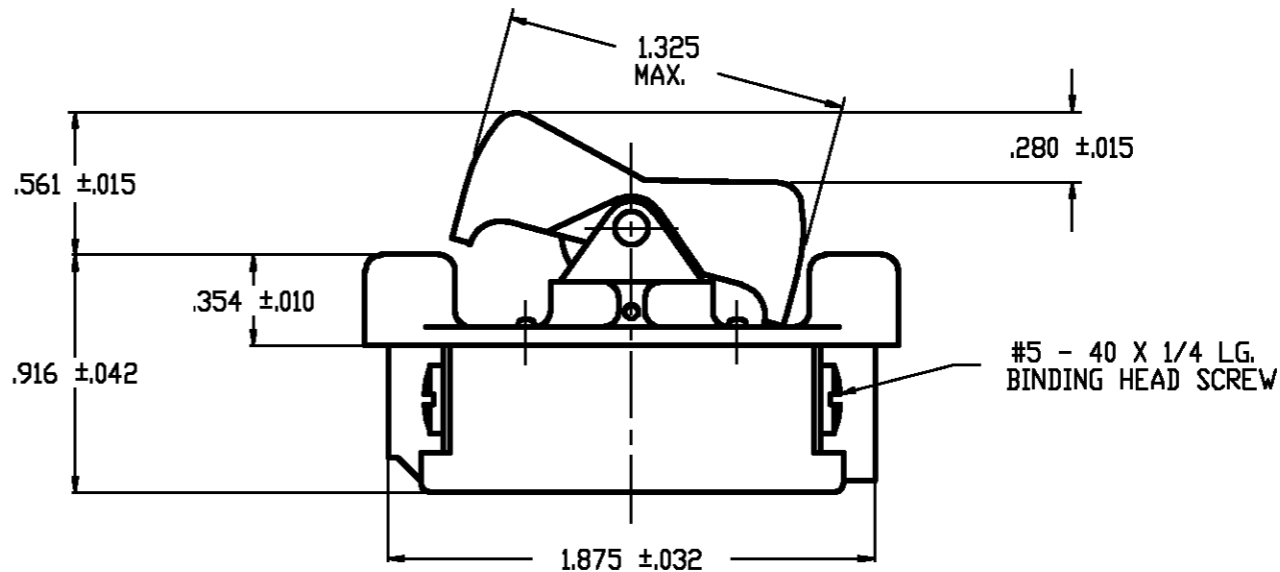
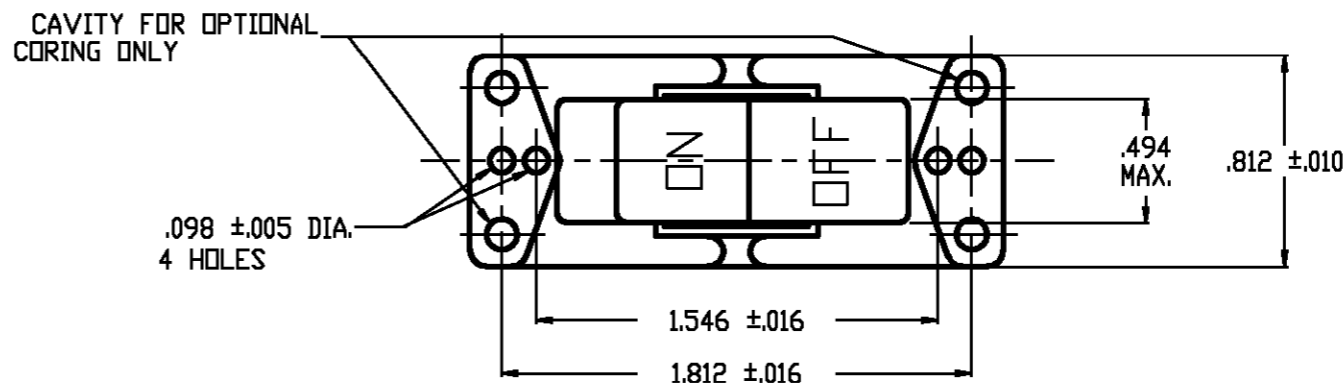
1

THIS DRAWING IS UNPUBLISHED. RELEASED FOR PUBLICATION
© COPYRIGHT BY TYCO ELECTRONICS CORPORATION. ALL RIGHTS RESERVED.

LOC	DIST	REVISIONS					
AD	00	P	LTR	DESCRIPTION	DATE	DWN	APVD
		A		EC0G3G-0016-01	25MAY01	WL	WBH



PANEL CUTOUT



NOTE:
1. SWITCH RATED AT 8A 250V 16A 125V 1HP 125V.

TYCO NO. 1520238-1
(ARAB NO. 8630K50)

90-6361

THIS DRAWING IS A CONTROLLED DOCUMENT.		DWN M. WHITED 26AUG76	Tyco Electronics Corporation Arab, AL 35016	
DIMENSIONS: INCHES		CHK J. SMITH 27AUG76	NAME ALL PLASTIC ROCKER SWITCH	
TOLERANCES UNLESS OTHERWISE SPECIFIED:		APVD R. SARAS 27AUG76	SIZE A3	
0 PLC ± -		PRODUCT SPEC	CAGE CODE 00779	DRAWING NO 1520238
1 PLC ± -		APPLICATION SPEC	RESTRICTED TO	
2 PLC ± -		WEIGHT	SCALE 1:1	
3 PLC ± -		FINISH	SHEET 1 OF 4	
4 PLC ± -		MATERIAL	REV A	
ANGLES ± -		CUSTOMER DRAWING		

