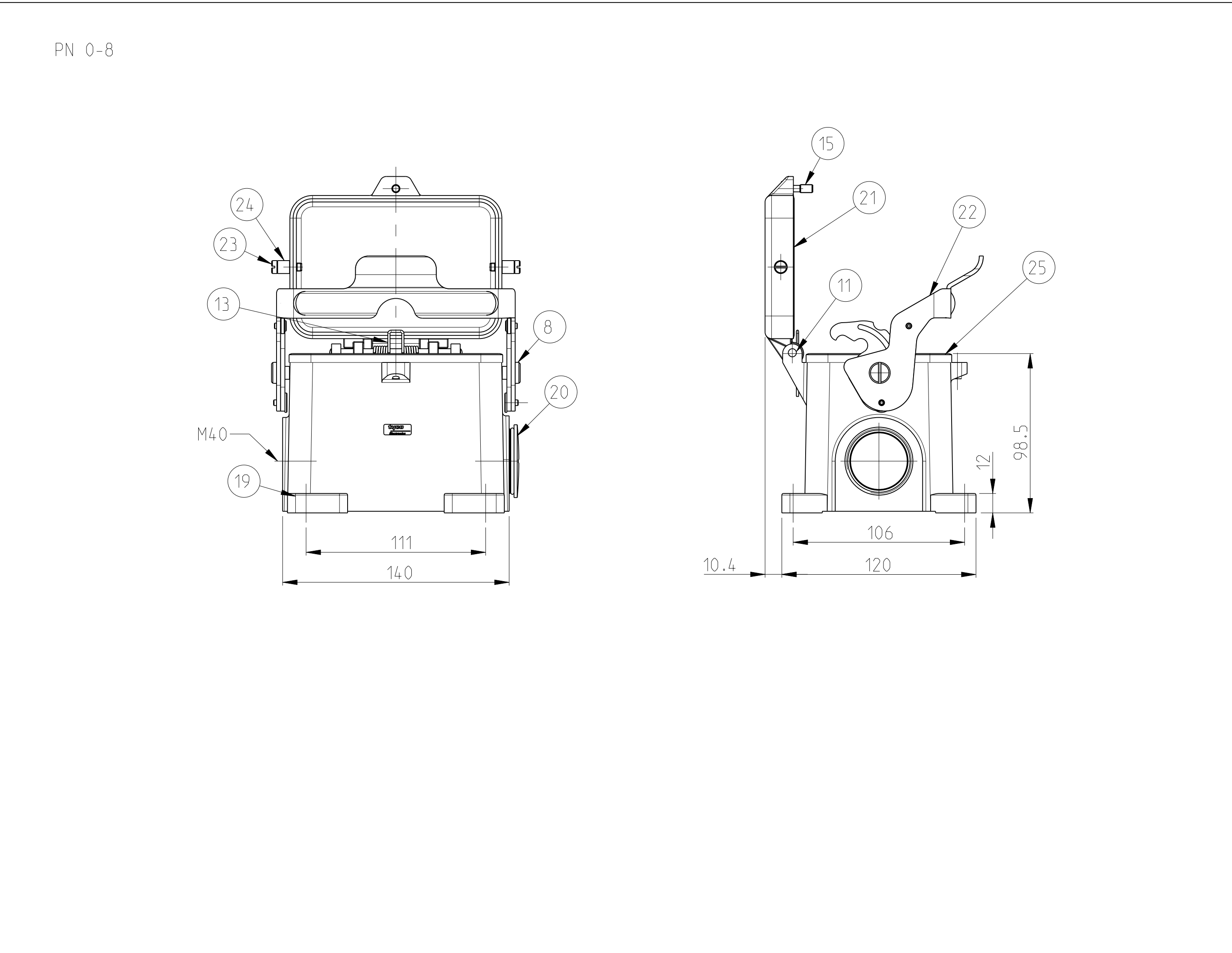
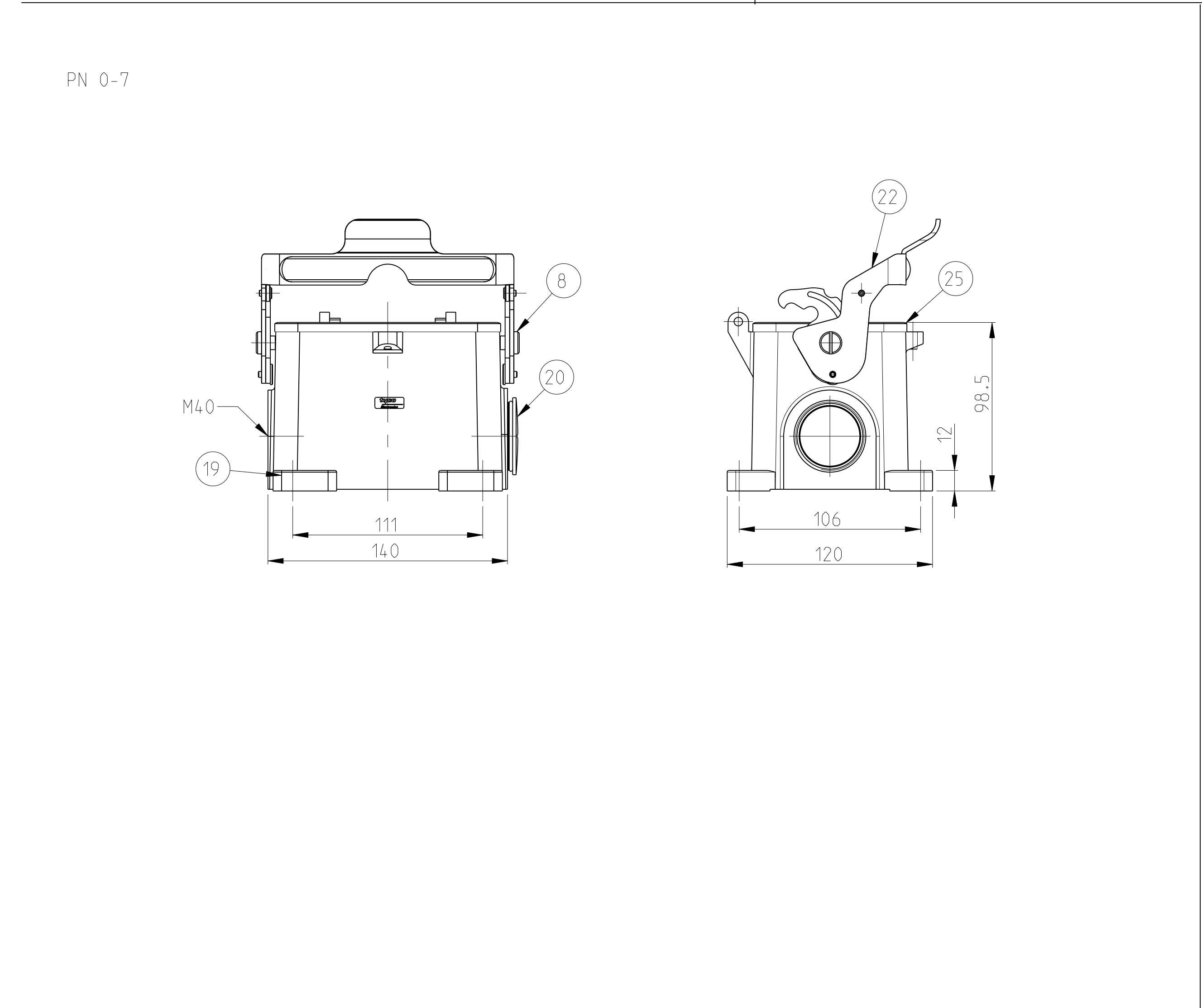
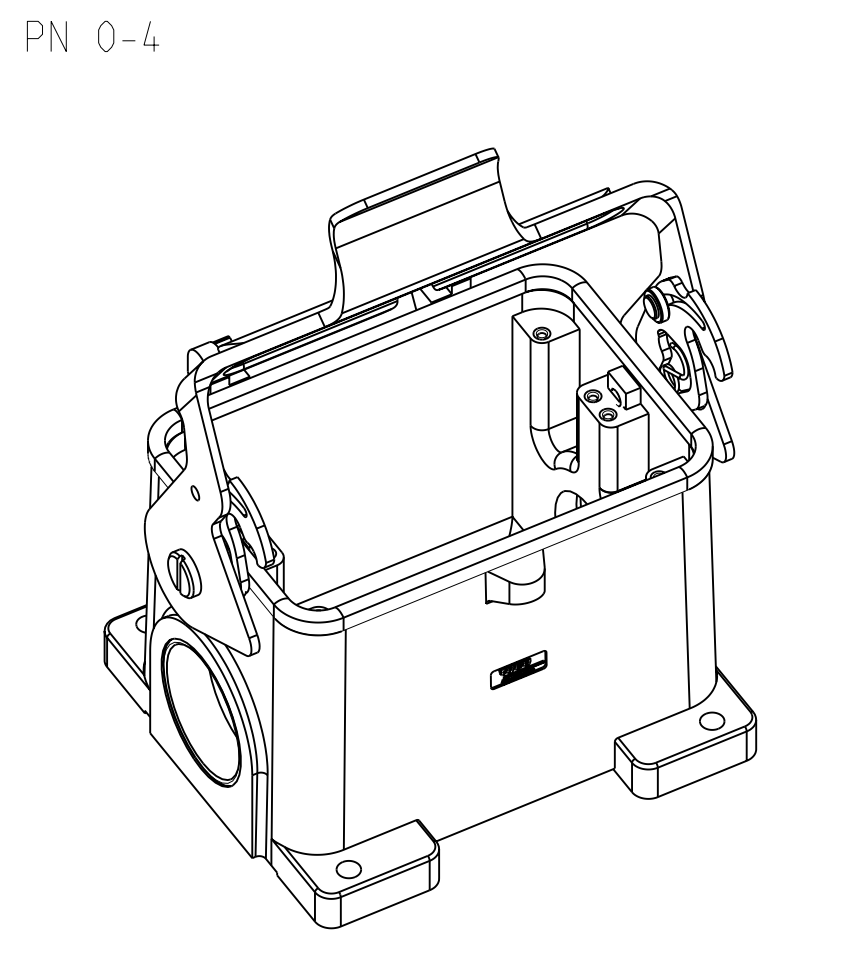
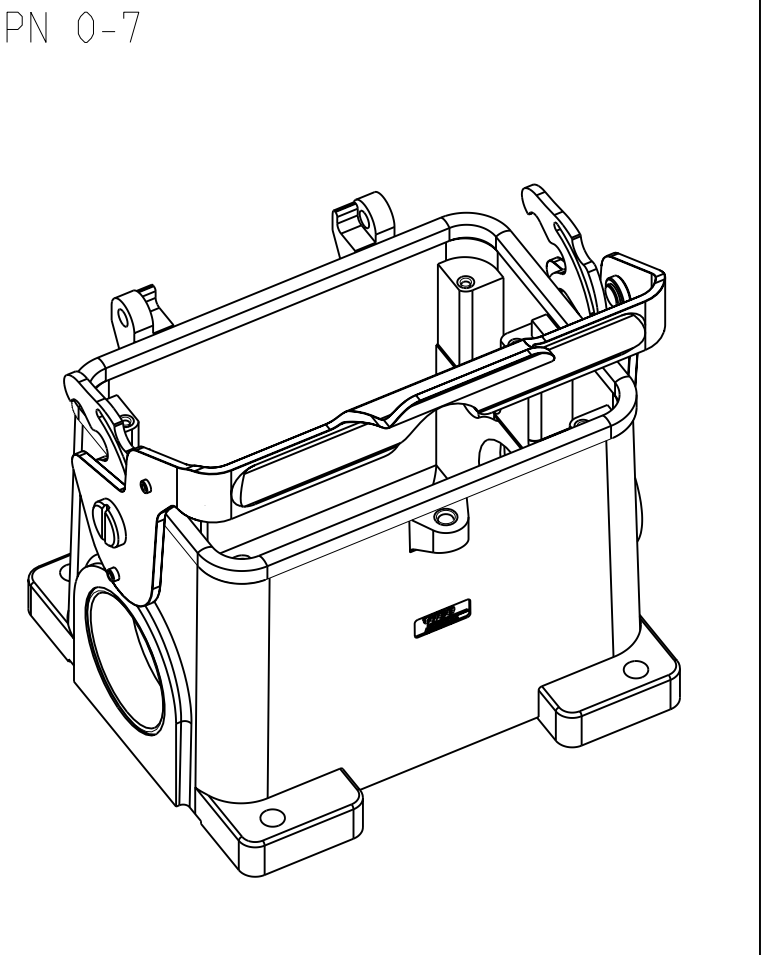
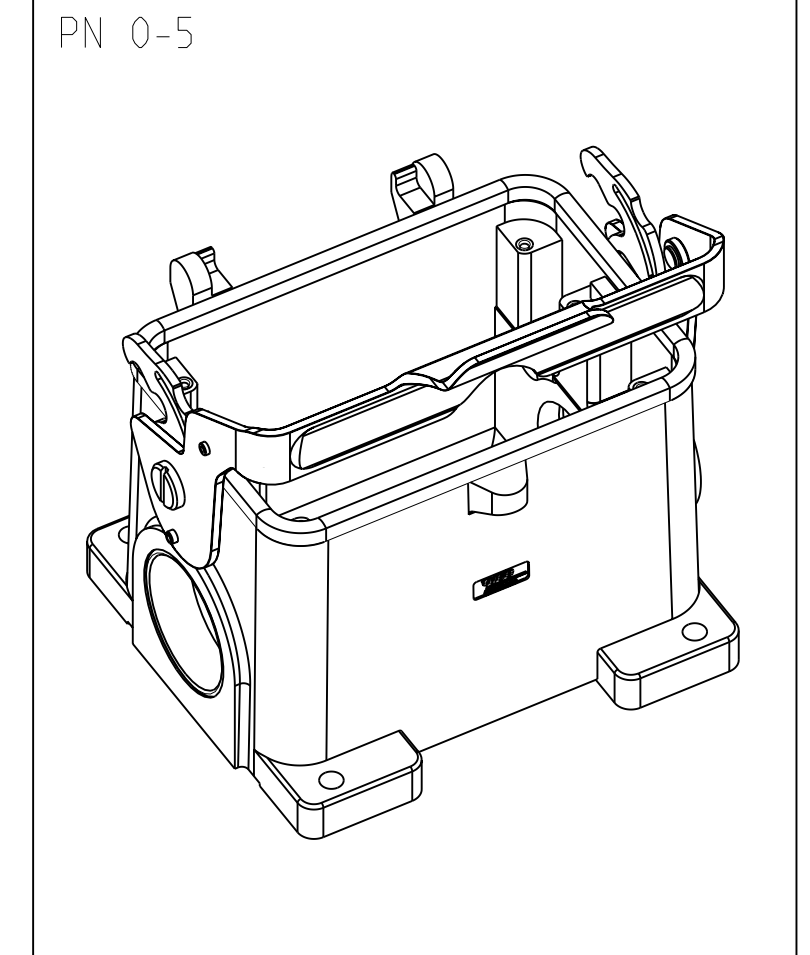
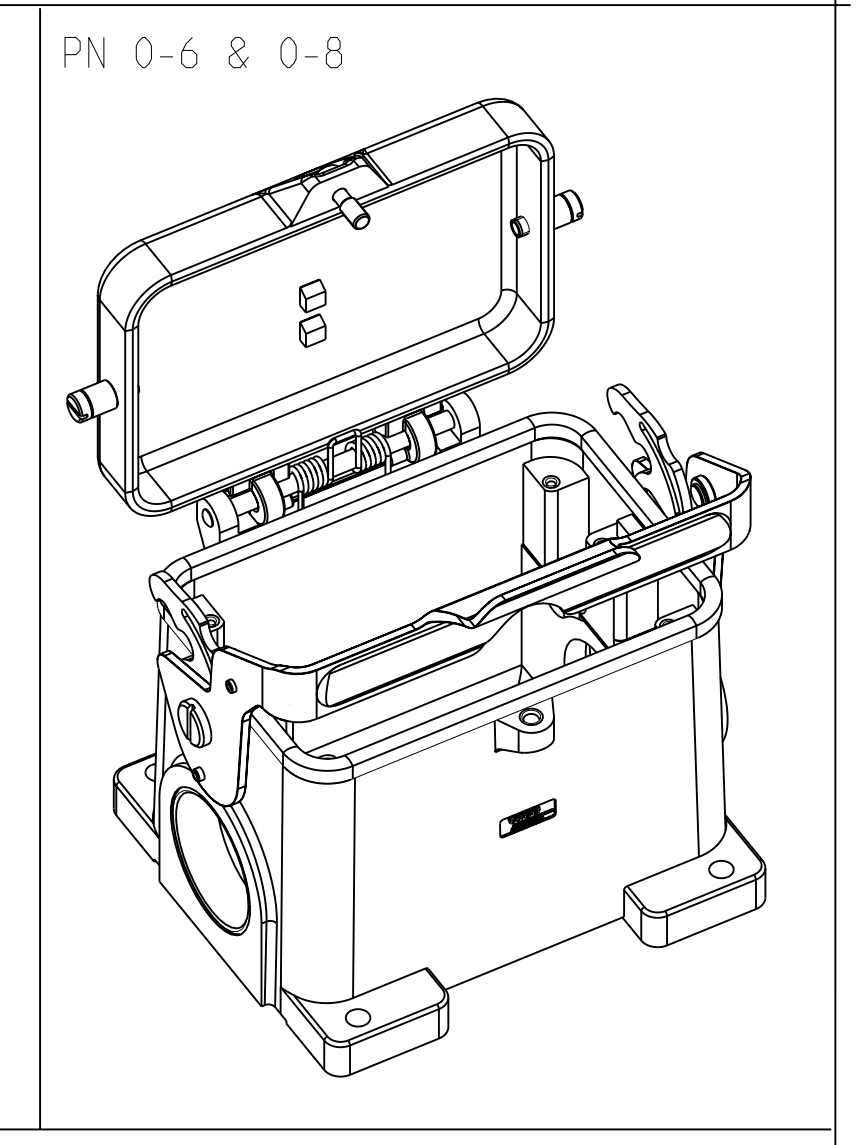
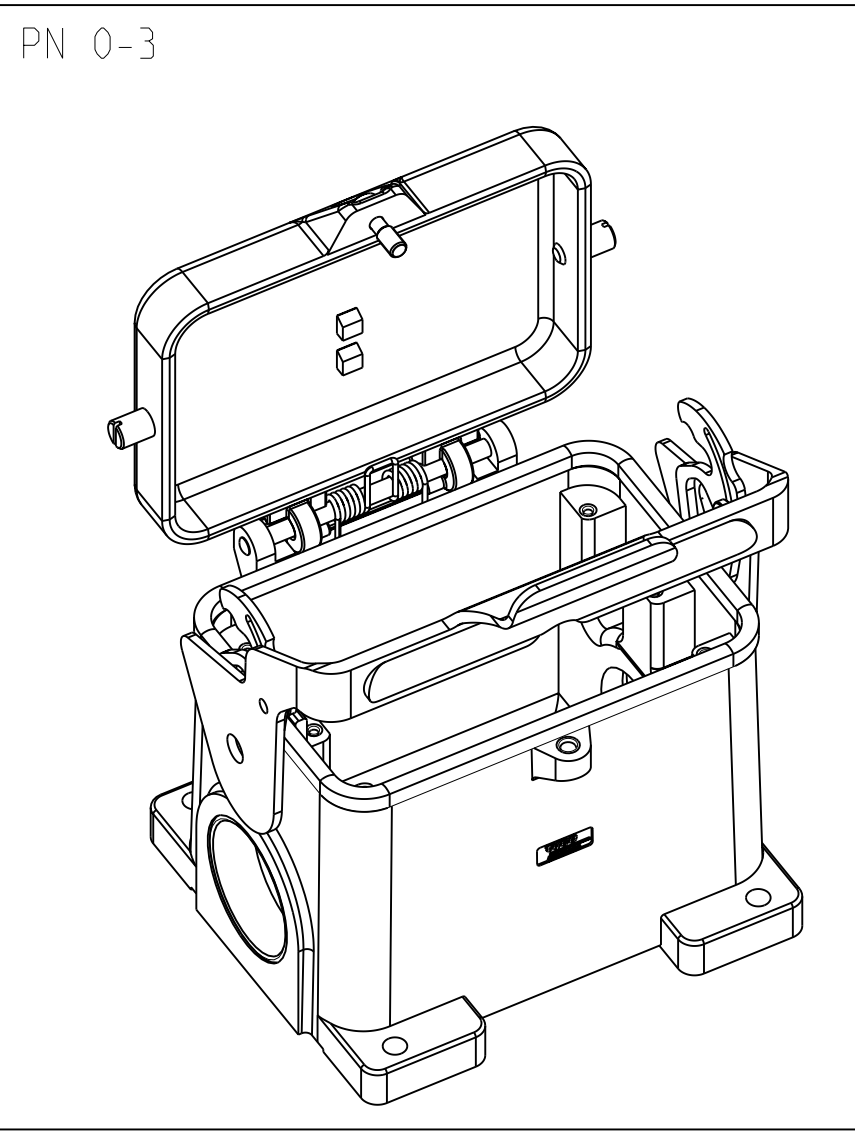
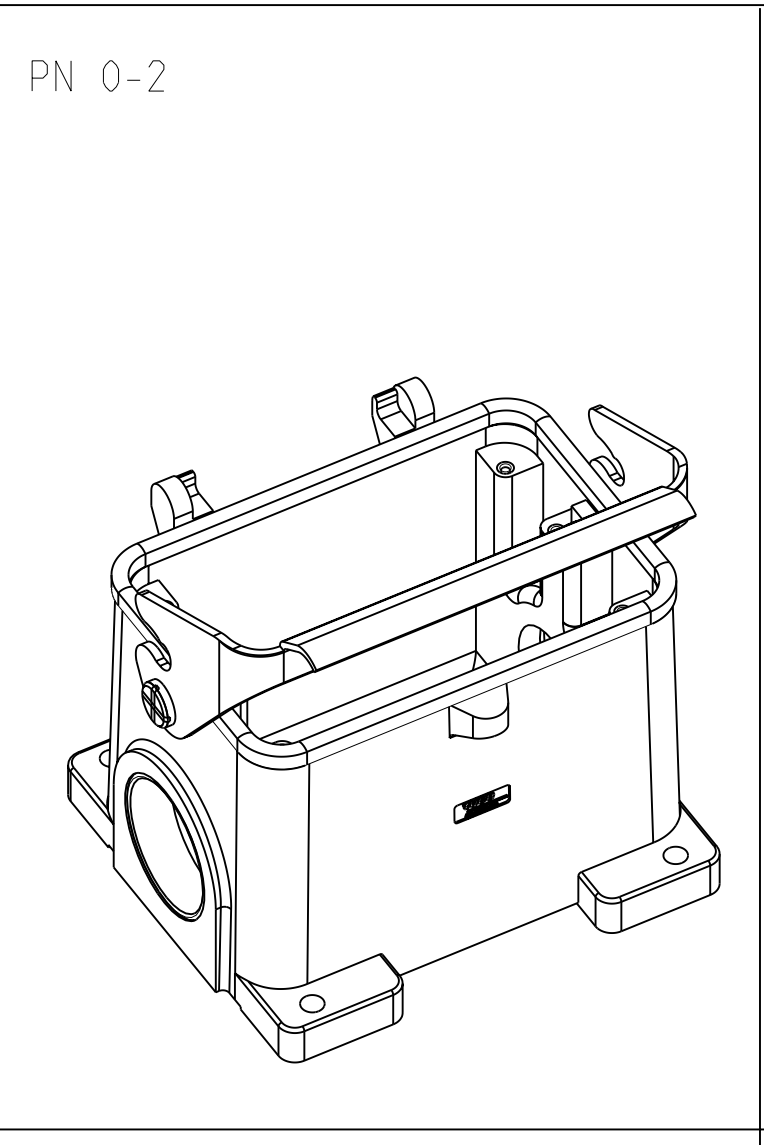
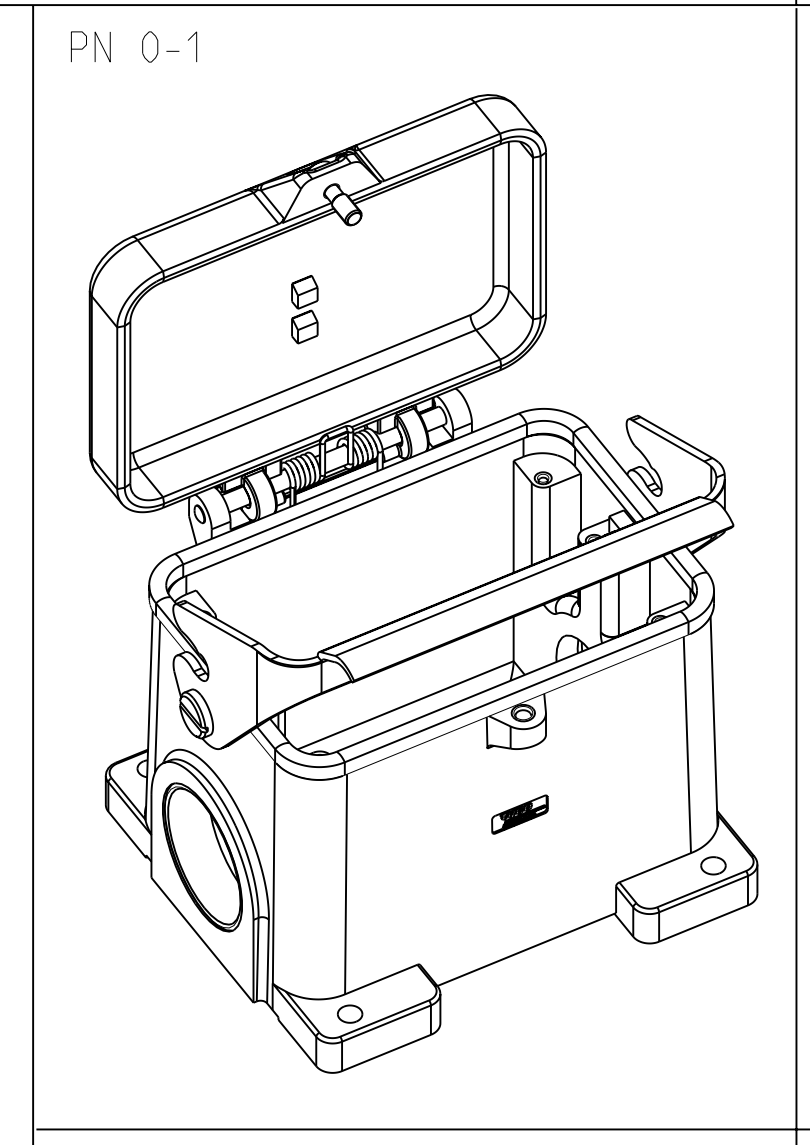
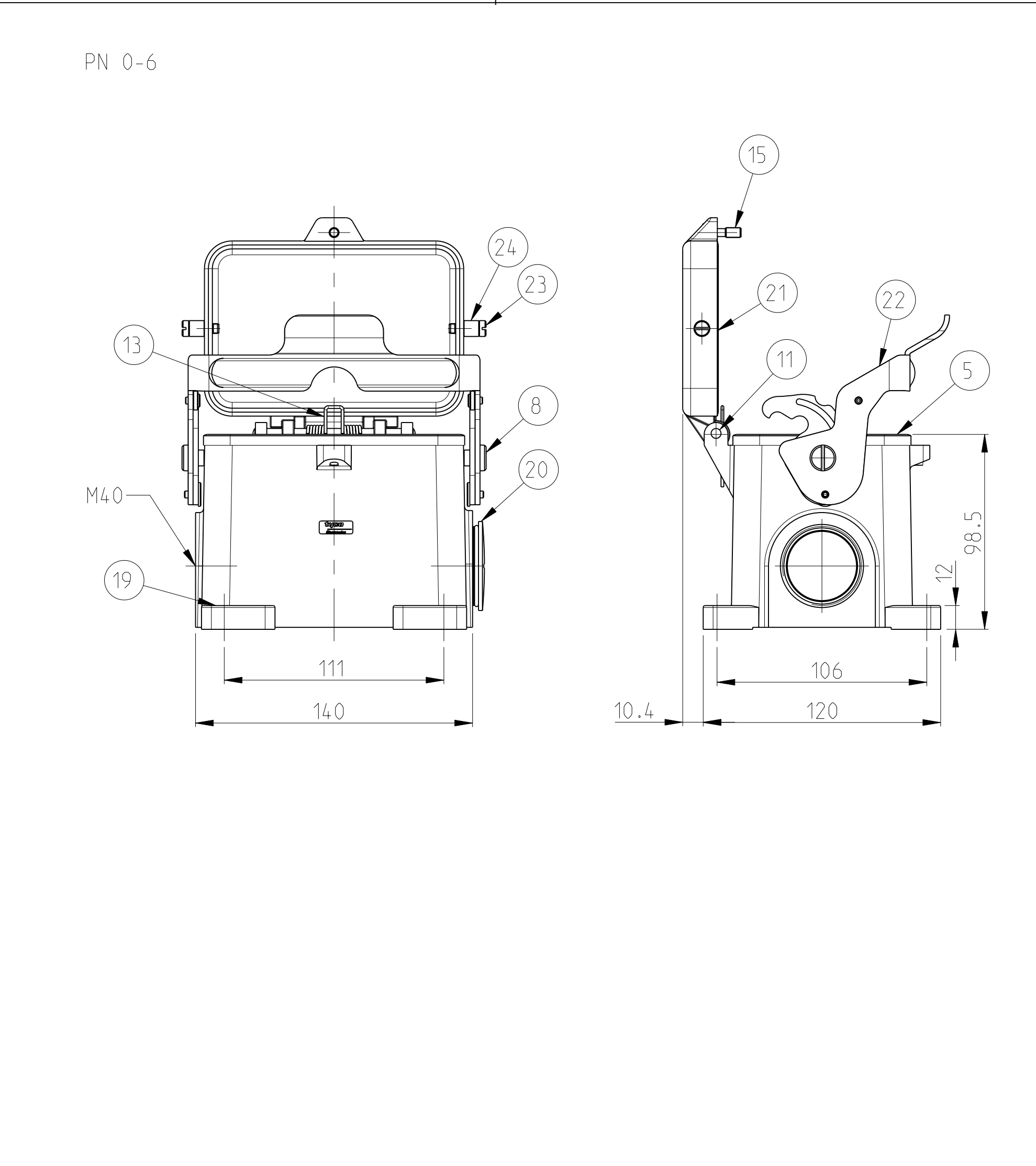
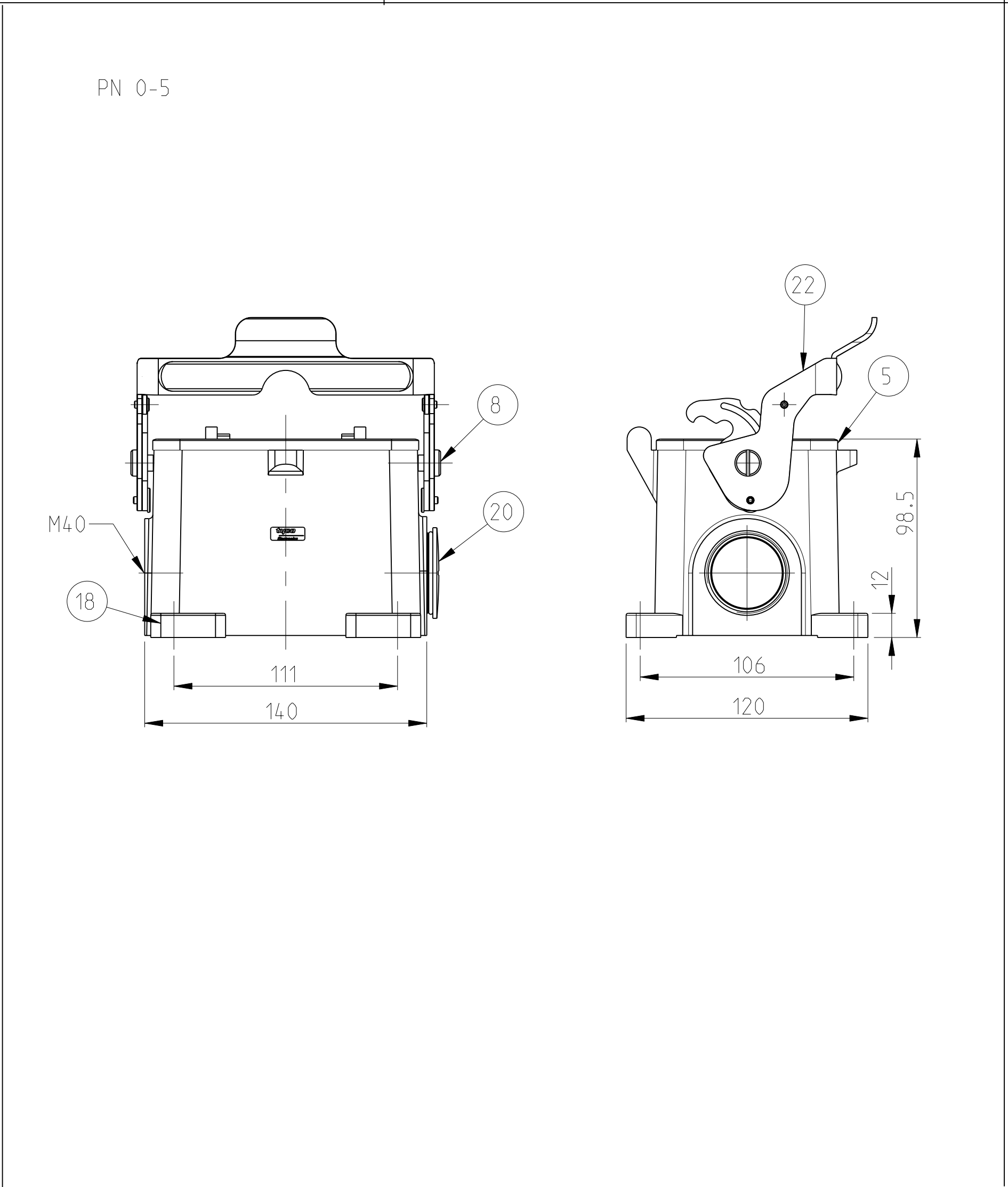
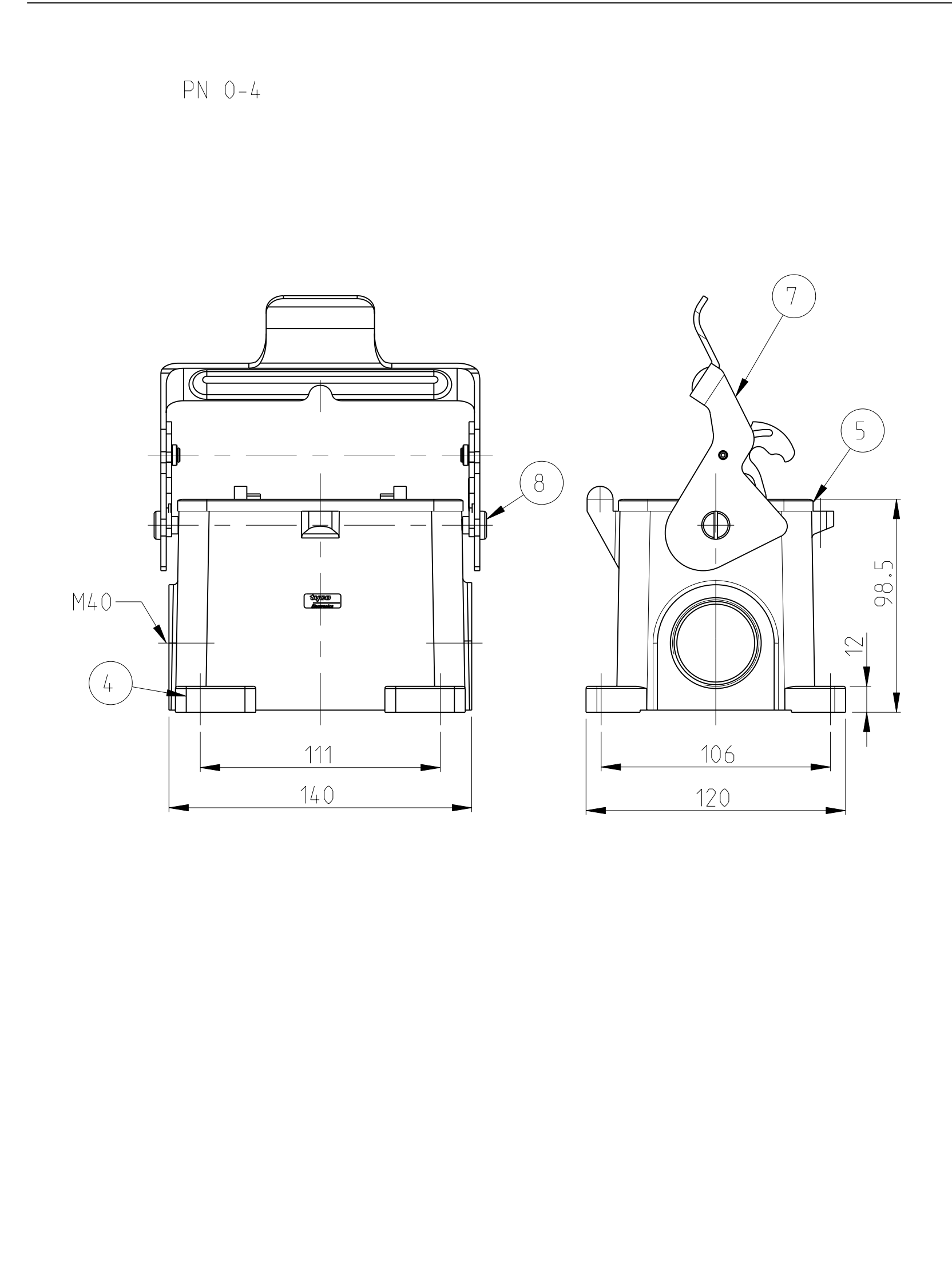


NOTES  
 1 PARTS SHALL BE BLANK, SMOOTH, FREE OF BURS AND ALL OTHER FOREIGN MATERIAL. NO CAST-UNEVENNESS ALLOWED  
 2 PACKING: 3 PIECES MAX. IN A BOX  
 3 VARNISHING INSIDE HOUSING NOT REQUIRED



QTY	REF	DESCRIPTION	MATERIAL	SURFACE	COLOR	ITEM	NOTES						
1	1	PROFILE SEAL	VITON			25							
2	2	SLIDE SPOOL HB.48	STAINLESS STEEL	BLANK		24							
2	2	CLIP BOLT	STAINLESS STEEL	BLANK		23	M5						
1	1	SIDE CLIP - STÄUBLI	STAINLESS STEEL	BLANK		22							
1	1	COVER	ALUMINIUM		GREY	21							
1	1	BLANKING PIECE WITH SEAL	STEEL		BLUE	20	M4.0						
1	1	SURFACE MOUNTED HOUSING SIDE ENTRY	ALUMINIUM		GREY	19	NEUTRAL						
1	1	SURFACE MOUNTED HOUSING SIDE ENTRY	ALUMINIUM		GREY	18	NEUTRAL						
1	1	CLIP BOLT	STAINLESS STEEL	BLANK		17							
1	1	CYLINDER SCREW	STAINLESS STEEL	BLANK		16	M5x16						
1	1	CYLINDER SCREW	STEEL	ZINC PLATED	BLUE	15	M5x16						
1	1	LEG SPRING	STAINLESS STEEL	BLANK		14							
1	1	LEG SPRING	STEEL	ZINC PLATED	BLUE	13							
1	1	RIVET PIN	STAINLESS STEEL	BLANK		12	Ø5x80						
1	1	RIVET PIN	STEEL	ZINC PLATED	BLUE	11	Ø5x80						
1	1	COVER	ALUMINIUM	ALUMINIUMOXIDE	BLACK	10							
1	1	COVER	ALUMINIUM		GREY	9							
2	2	2	2	2	2	2	2	SLOTTED PAN HEAD SCREW	STAINLESS STEEL	BLANK	8	M6x8	
								SIDE CLIP	STAINLESS STEEL	BLANK	7		
								SIDE CLIP	STEEL	ZINC PLATED	BLUE	6	
								PROFILE SEAL	NEOPRENE		5		
								SURFACE MOUNTED HOUSING SIDE ENTRY	ALUMINIUM	ALUMINIUMOXIDE	BLACK	4	
								SURFACE MOUNTED HOUSING SIDE ENTRY	ALUMINIUM		GREY	3	
								SURFACE MOUNTED HOUSING SIDE ENTRY	ALUMINIUM	ALUMINIUMOXIDE	BLACK	2	
								SURFACE MOUNTED HOUSING SIDE ENTRY	ALUMINIUM		GREY	1	
0-8	0-7	0-6	0-5	0-4	0-2	0-3	0-1	DESCRIPTION	MATERIAL	SURFACE	COLOR	ITEM	NOTES
								HB.48.SGD-LB.2.M4.0.Z					
								HB-K.48.SG-LB.2.M4.0.Z					
								HB.48.SG-LB.2.M4.0.Z					
								HB.48.SG-LB.2.M4.0.Z					
								HB-K.48.SG-LB.2.M4.0.Z+BS					
								HB.48.SGD-LB.2.M4.0.Z+BS					
								HB.48.SG-LB.2.M4.0.Z+BS-V					
								HB.48.SGD-LB.2.M4.0.Z+BS-V					