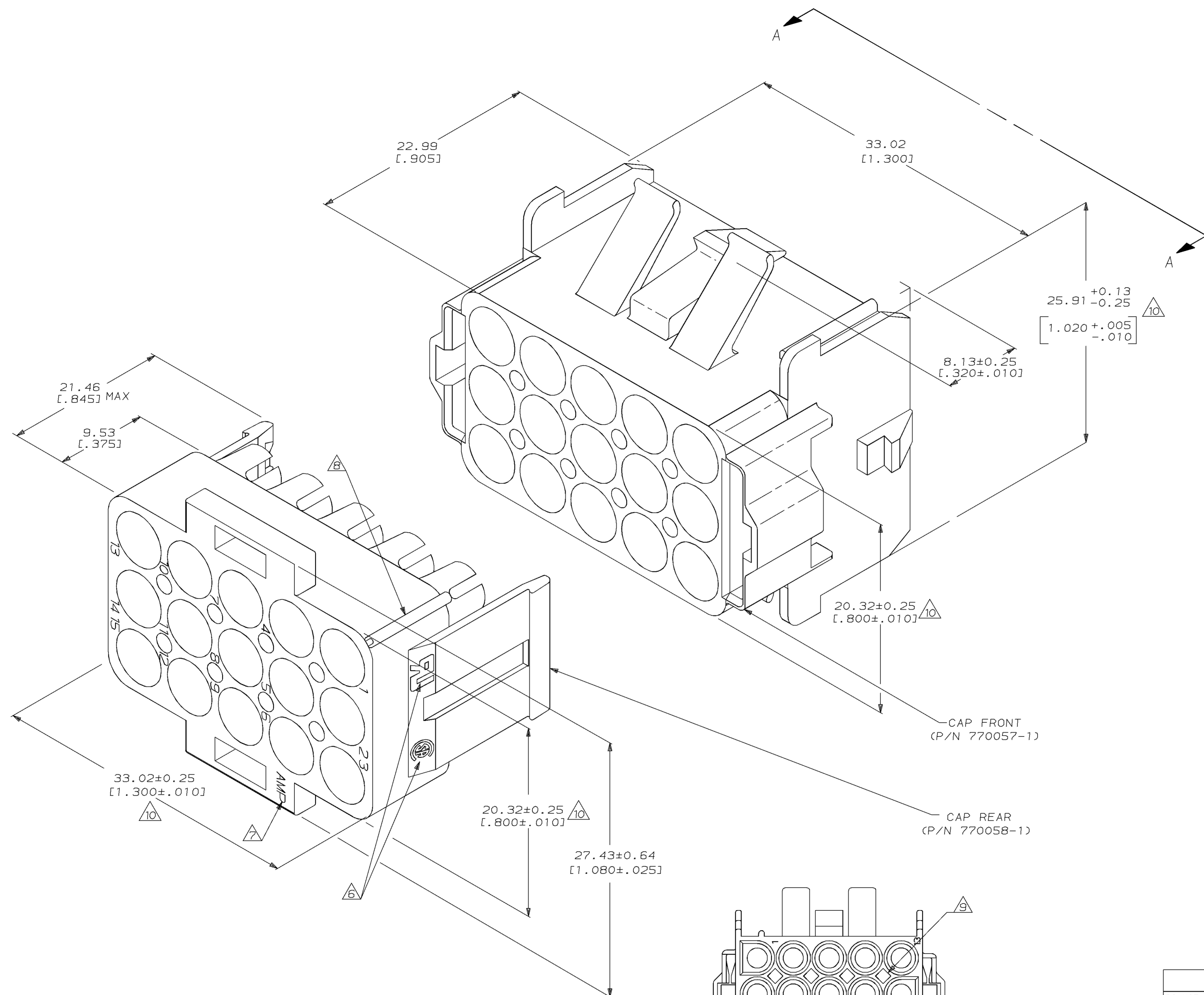
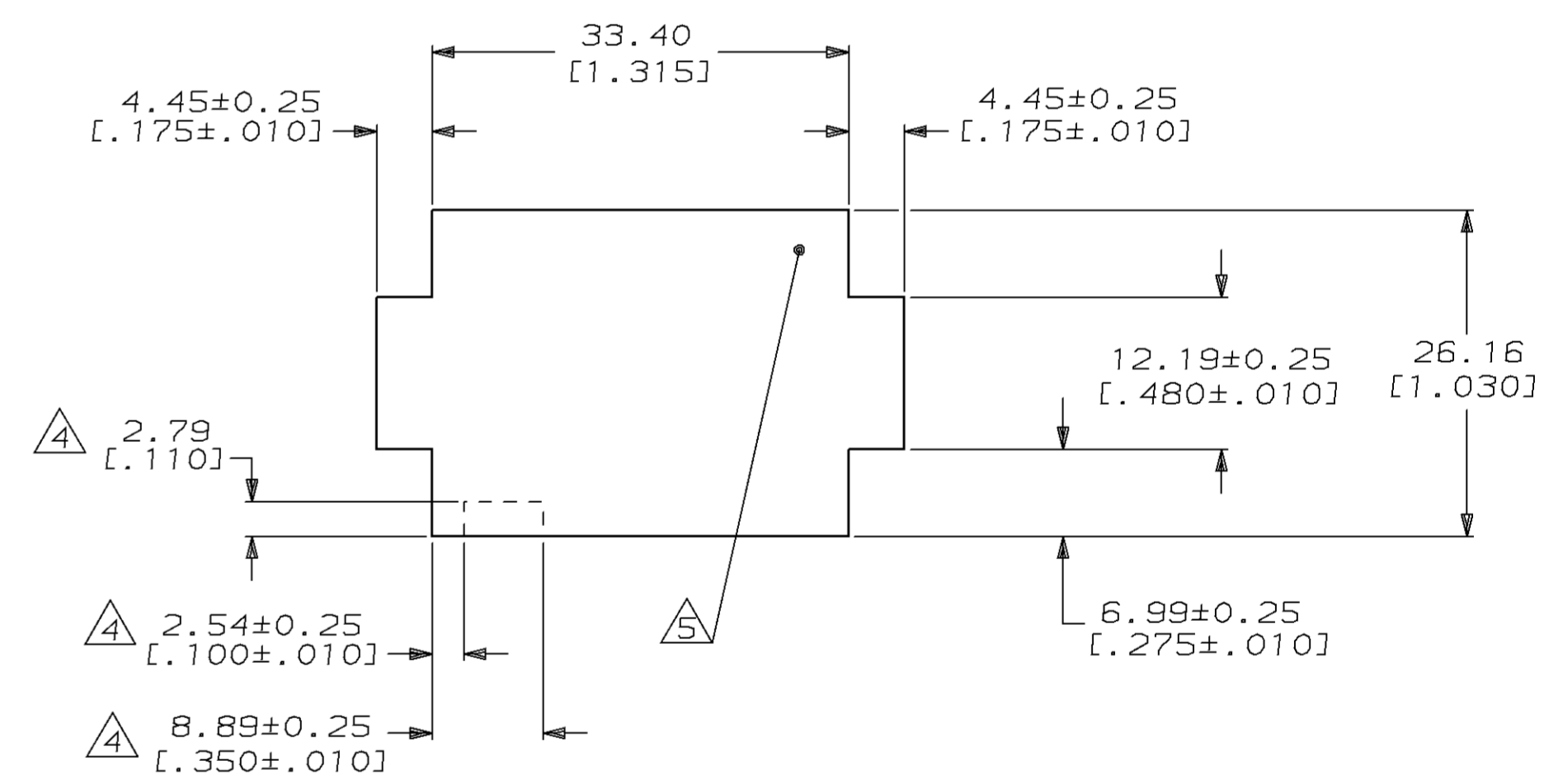


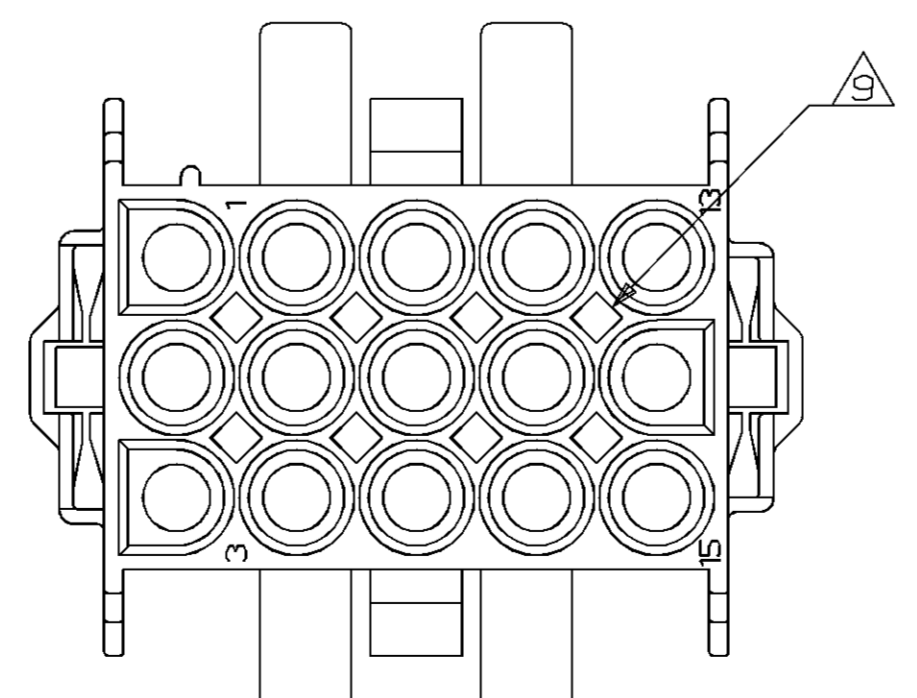
LOC		DIST		P		F		ZONE		LTR		REVISIONS		DATE	APPD	
CM	53												G	REV PER EC 0730-0210-95	2-9-96	RV



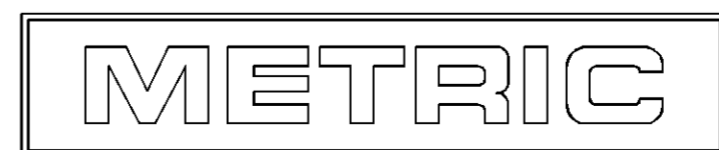
1. BULK PACKAGED, UNASSEMBLED.
 2. RECOMMENDED PANEL THICKNESS 0.76-2.29 [.030-.090].
 3. PANEL MUST BE PUNCHED SO THAT THE HOUSING ENTERS THE PANEL IN THE SAME DIRECTION AS THE PUNCH.
 4. OPTIONAL FOR KEYING HOUSING IN PANEL.
 5. CIRCUIT NO. 1 LOCATOR.
 6. APPROVAL AGENCY LOGO LOCATED APPROXIMATELY AS SHOWN.
 7. AMP LOGO LOCATED THIS SURFACE.
 8. CIRCUIT NUMBER ONE IDENTIFICATION RIB AND CIRCUIT IDENTIFICATION NUMBERS ARE EACH LOCATED ADJACENT TO THE APPROPRIATE CIRCUIT CAVITIES.
 9. OPTIONAL CONSTRUCTION PROVIDES ROUND MATERIAL REDUCTION CORING HOLES.
 10. DIMENSION INDICATED IS AS MOLDED. ADDITIONAL GROWTH DUE TO SUBSEQUENT MOISTURE ABSORPTION MAY OCCUR.
11. DIMENSIONS IN BRACKETS ARE IN INCHES.



RECOMMENDED PANEL CUTOUT
 (HOUSING ENTRY SIDE)
 SCALE 2:1



VIEW A-A
 SCALE 2:1



770030-1
 PART NUMBER

DO NOT SCALE PRINT. UNLESS SPECIFIED DIMENSIONS IN mm TOLERANCES: ON + 2 PLC DEC ± 0.13 [.005] ANGLES ±		DR 1-22-92 K. SALMON		PART NO	
MATERIAL NYLON, UL94V-0,		CHK 1-22-92 R. SWING		AMP INCORPORATED Harrisburg, Pa. 17105	
FINISH		APPD 1-22-92 M. TRULL		NAME	
APPLICATION SPEC		APPD 1-22-92 M. TRULL		CAP HOUSING KIT, 15 CIRCUIT, UNIVERSAL MATE-N-LOK™ II	
WEIGHT		PRODUCT SPEC		SIZE D	
SCALE 5:1		FSCM NO 00779		DRAWING NO 770030	
				SHEET 1 OF 1	