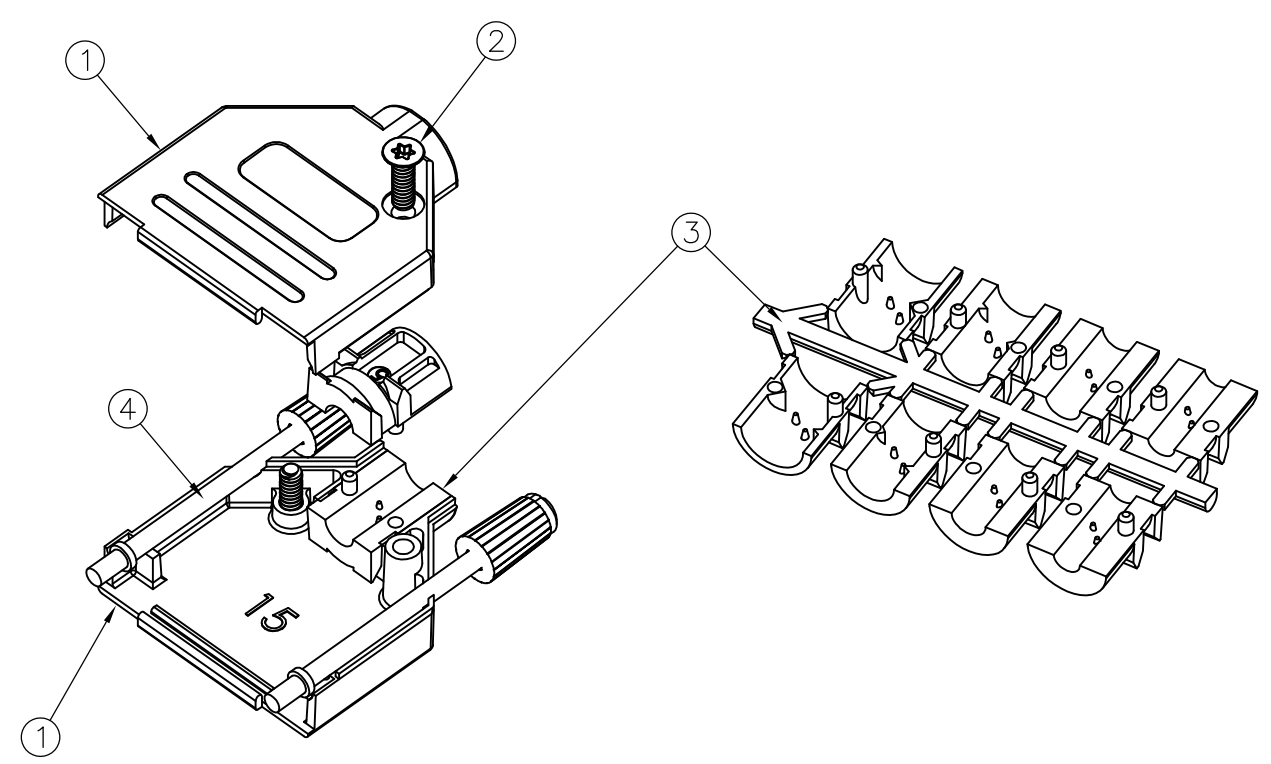
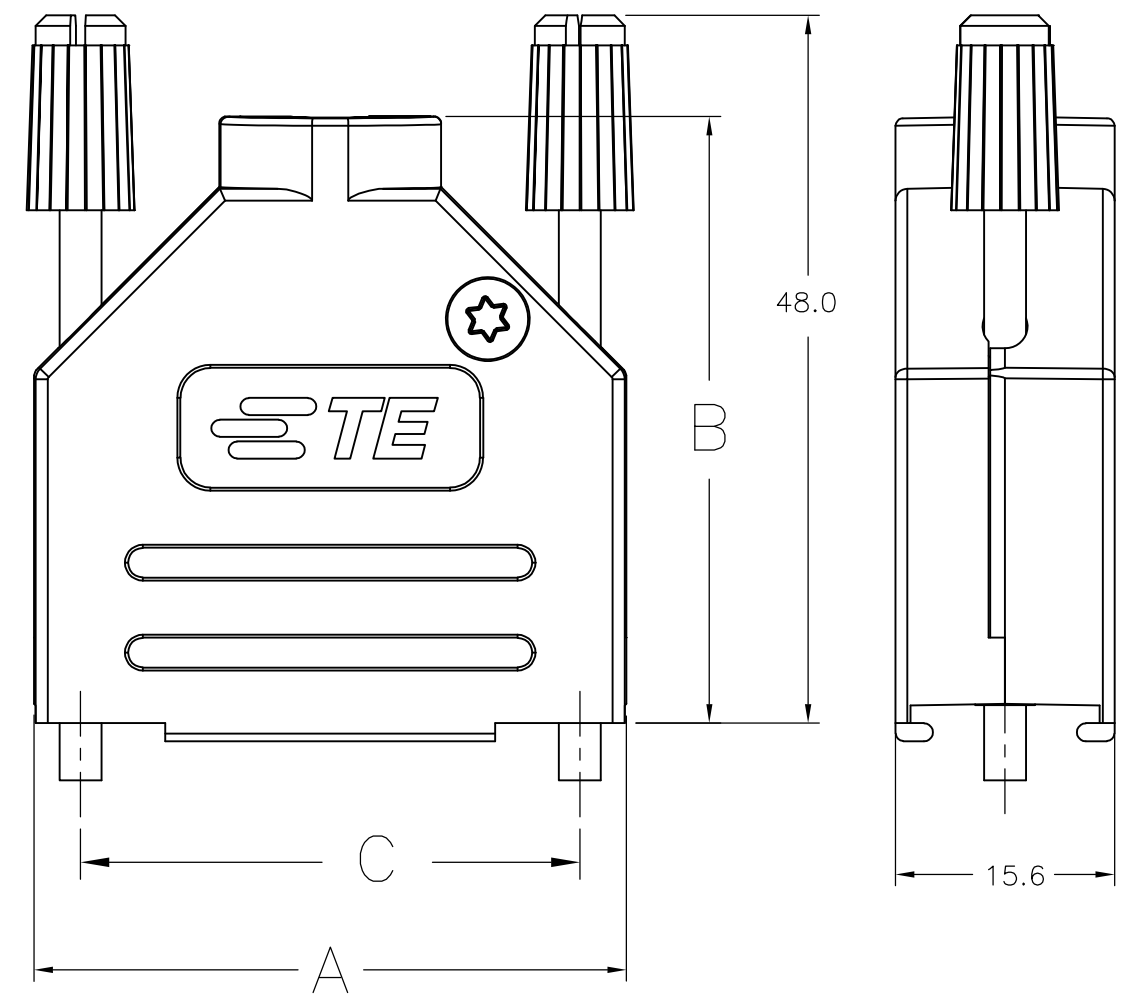


THIS DRAWING IS UNPUBLISHED. RELEASED FOR PUBLICATION DEC ,2011.
 © COPYRIGHT 2011 By - ALL RIGHTS RESERVED.

LOC	DIST	REVISIONS					
GP	00	P	LTR	DESCRIPTION	DATE	DWN	APVD
		E		REVISED PER ECO-13-000397	31JAN2013	CJV	CWR



- 1. FOR ASSEMBLY DETAILS, REFER TO LEAFLET 2227518-1.
- 2. BULK PACKAGED BACKSHELL ASSEMBLIES: ITEMS 1 THRU 4, 100 TIMES QTY SHOWN IN TABLE IN 1 BAG FOR EACH ITEM. ALL BAGS IN 1 BOX WITH (1) 2227518-1 LEAFLET.
- 3. INDIVIDUALLY PACKAGED SHELL ASSEMBLIES: 1 BAG CONTAINS ALL COMPONENTS FOR 1 COMPLETE ASSEMBLY. 100 BAGS PER BOX, (1) 2227518-1 LEAFLET PER BOX.
- 4. TERMINATES 4.0-13.0 CABLE DIAMETERS.
- 5. 15 POSITION SHOWN.
- 6. TRIVALENT CHROMIUM CHROMATE COATING OVER ZINC PLATING.
- 7. OPTIONAL CABLE CRIMP KIT AVAILABLE FOR 6.0-9.5 DIAMETER CABLE. SEE 1478764.

△	3	63.5	52.2	69.5	TORX	4-40 UNC	4	37 WAY	5-2198617-4
△	3	47.0	47.8	53.0	TORX	4-40 UNC	3	25 WAY	5-2198617-3
△	3	33.3	40.5	39.3	TORX	4-40 UNC	2	15 WAY	5-2198617-2
△	3	25.0	38.3	31.0	TORX	4-40 UNC	1	9 WAY	5-2198617-1
△	2	63.5	52.2	69.5	TORX	4-40 UNC	4	37 WAY	3-2198617-7
△	2	47.0	47.8	53.0	TORX	4-40 UNC	3	25 WAY	2-2198617-5
△	2	33.3	40.5	39.3	TORX	4-40 UNC	2	15 WAY	1-2198617-5
△	2	25.0	38.3	31.0	TORX	4-40 UNC	1	9 WAY	2198617-9
PACKAGING	C	B	A		SELF TAPPING FIXING SCREW TYPE	JACKSCREW THREAD	SHELL SIZE	POSITION	PART NUMBER

4	JACKSCREW ASSEMBLY, 4-40	POLYAMIDE, UL94 V2 KNOB	BLACK	2
		CARBON STEEL SHAFT	△6	
3	STRAIN RELIEF SET	POLYCARBONATE UL94 V0	BLACK	1
2	SELF TAPPING FIXING SCREW	CARBON STEEL	△6	2
1	BACKSHELL HALF	ABS UL94 V0	NICKEL	2
ITEM	DESCRIPTION	MATERIAL	FINISH	QTY

THIS DRAWING IS A CONTROLLED DOCUMENT. DIMENSIONING AND TOLERANCING PER ASME Y14.5M-2009

DIMENSIONS: mm	TOLERANCES UNLESS OTHERWISE SPECIFIED:	DWN C. VALENTINE 08DEC2011	 TE Connectivity
	0 PLC ± 0.5	CHK C. ROHDE 08DEC2011	
	1 PLC ± 0.5	APVD C. ROHDE 08DEC2011	
	2 PLC ± 0.5	NAME	
	3 PLC ± 0.5	PRODUCT SPEC	SHIELDED PLASTIC BACKSHELL STRAIGHT ENTRY
	4 PLC ± 0.5	APPLICATION SPEC	
	ANGLES ± 0.5°	WEIGHT	SIZE CAGE CODE DRAWING NO RESTRICTED TO
MATERIAL SEE TABLE	FINISH SEE TABLE	CUSTOMER DRAWING	A3 00779 C-2198617
		SCALE NTS	SHEET 1 OF 1 REV E