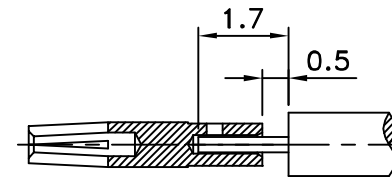
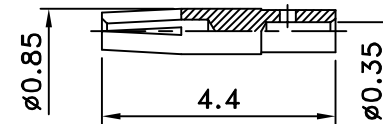
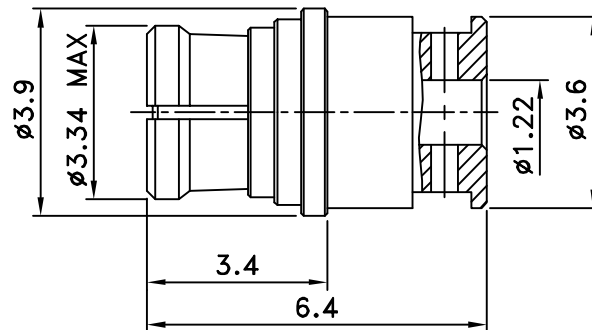


REV	DESCRIPTION\PER REQUEST	DRAWN	DATE



RECOMMENDED
CABLE STRIPPING DIM'S



NOTES:FINISH (PLATING THICKNESS IN MICRO-INCHES)
 1.GOLD PL. 3 MIN. THICK OVER NICKEL PL. 70 MIN. THICK OVER COPPER STRIKE
 2.GOLD PL. 30 MIN. THICK OVER NICKEL PL. 70 MIN. THICK OVER COPPER STRIKE

Cable:.047"

NO	Description	Q'ty	Material	Finish	PART NO.	DATE	SCALE	UNIT	mm	FILE NO. W:\AS\ASSMP\ASSMP-43004-1-TGG Bomar->20120928	
4	Sleeve	1	Brass	NOTE 1	2020A504-047	09/28/12	8/1			* MAJOR DIMENSION UNLESS OTHERWISE NOTED TOLERANCES 0.5-6=±0.2 6-30=±0.4 30-120=±0.6 120-315=±1.0 ANGLES=±1°	
3	Dielectric	1	Teflon	None	APPROVED	09/28/12					
2	Pin	1	Beryllium	NOTE 2	CHECKED	09/28/12					
1	Body	1	Beryllium	NOTE 1	DRAWN	09/28/12					
					<i>Kai</i>						
						Bomar Interconnect Products, Inc				TITLE	SMP DIRECT SOLDER JACK
										DRAWING NO.	ASSMP-43004-1-TGG
										REV	A