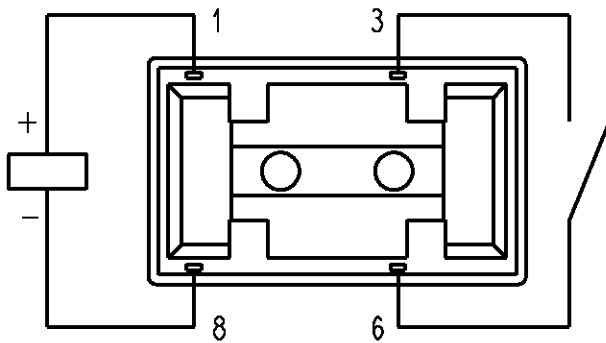
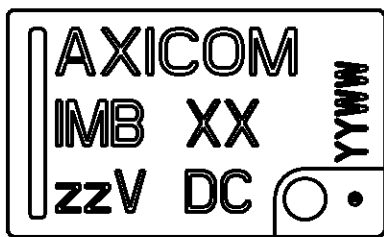
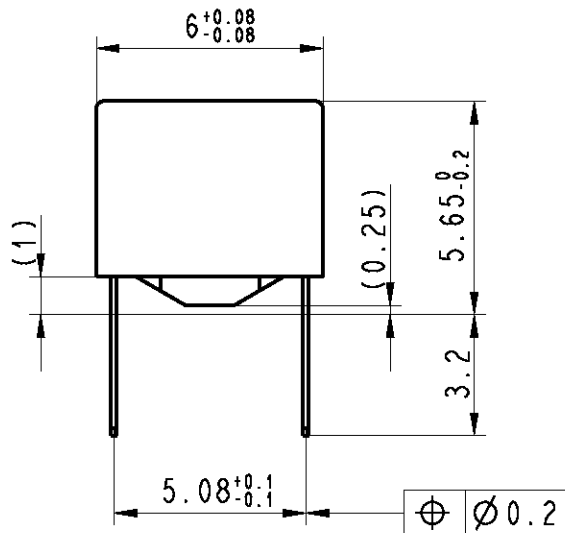
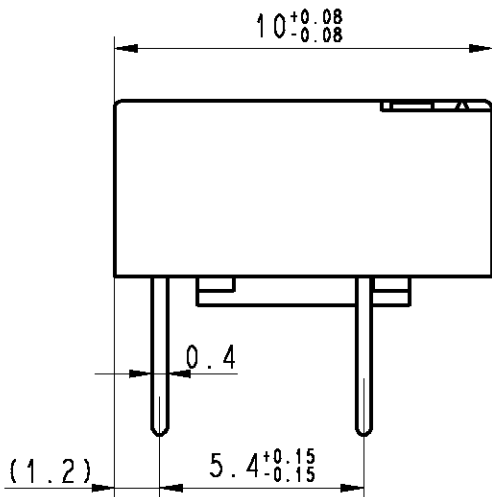


LOC	DIST	REVISIONS					
HJ	-	P	LTR	DESCRIPTION	DATE	DWN	APVD
		A2		REVISED PER ECO-11-005150	25MAR11	RK	HMR



Relay - bottom view



XX = Relay type
 zz = nominal voltage
 YYWW = Date code

THIS DRAWING IS UNPUBLISHED.

ALL RIGHTS RESERVED.

DRAWING ALIAS

DIMENSIONS: mm		DWN UKo 9193 18Jun2008	MATERIAL -	FINISH -	
TOLERANCES UNLESS OTHERWISE SPECIFIED: DIN 7168-m		CHK HD 9121 18Jun2008			
0 PLC ±- 1 PLC ±- 2 PLC ±- 3 PLC ±- 4 PLC ±- ANGLES ±-		APVD HD 9121 18Jun2008			
PRODUCT SPEC -		NAME IMB-Relay THT (NO-HV) Dimensions			
APPLICATION SPEC -		SIZE A4	CAGE CODE 00779	DRAWING NO C-1462041-1	RESTRICTED TO -
WEIGHT -		SCALE 5:1 SHEET 1 OF 1 REV A2			
CUSTOMER DRAWING					