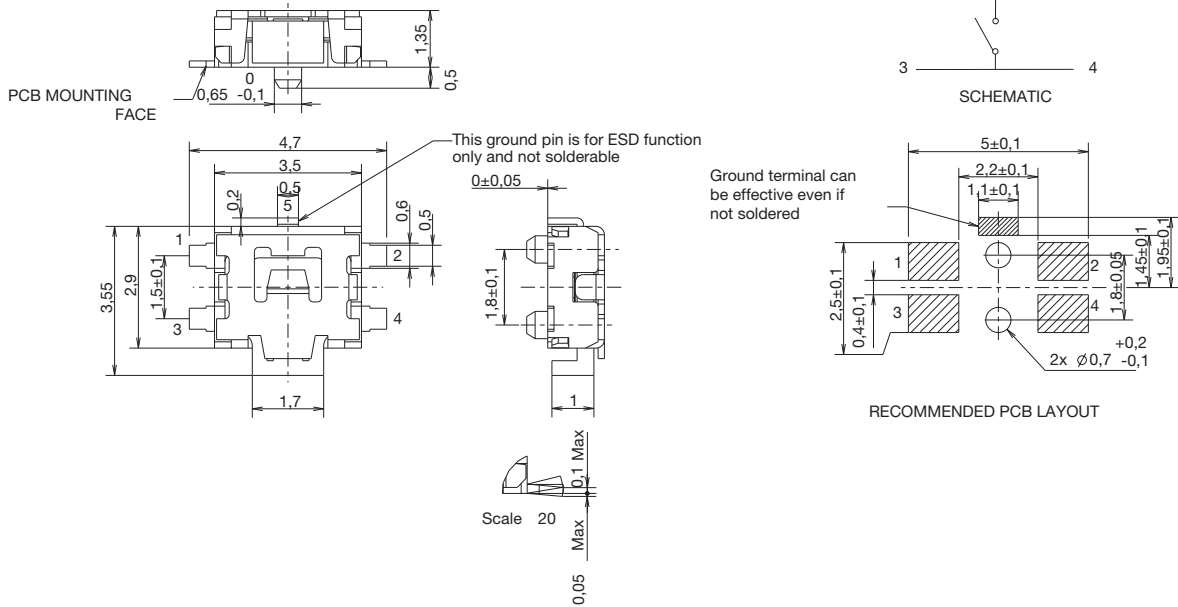


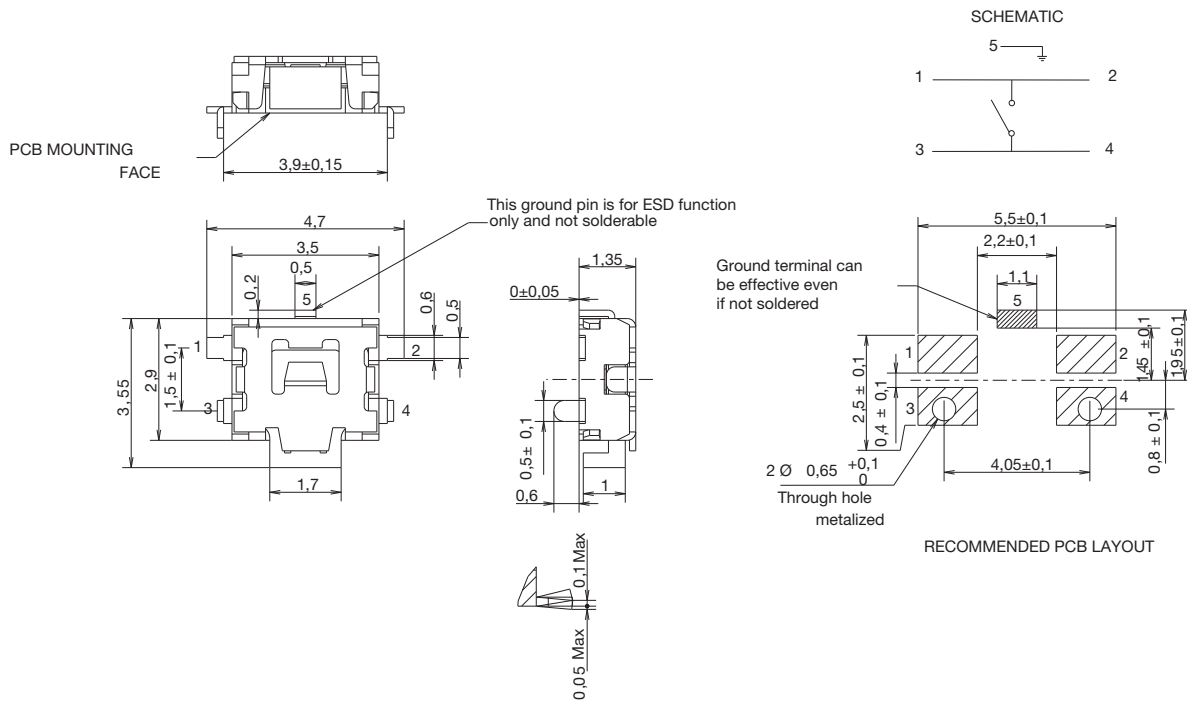


# PTS 840 Series Microminiature SMT Side Actuated

## Standard G SMT Leads with ESD and Peg options

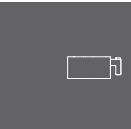


## P SMT Leads with ESD option



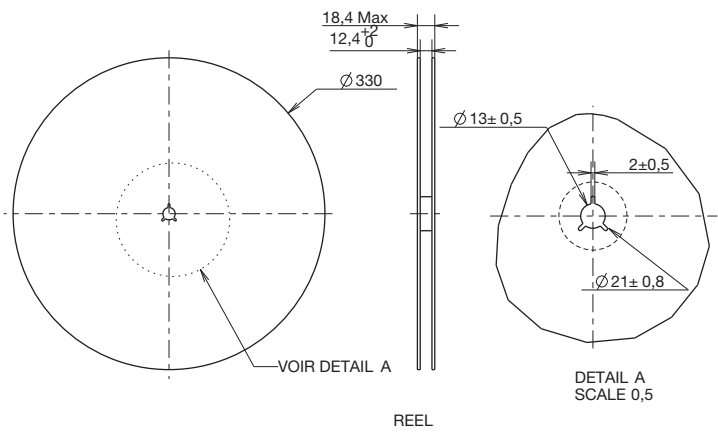
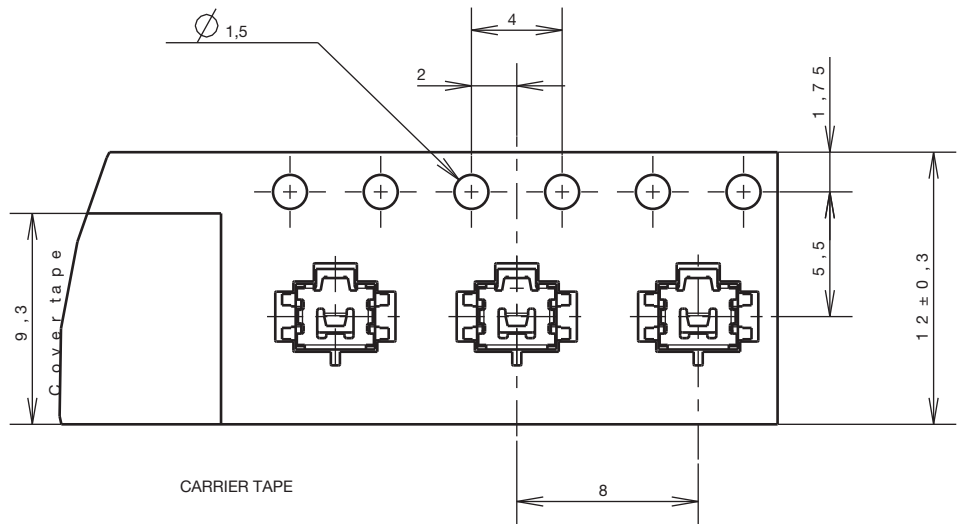
# PTS 840 Series Microminiature SMT Side Actuated

## TAPE & REEL



B

Tactile Switches



Dimensions are shown: mm  
Specifications and dimensions subject to change