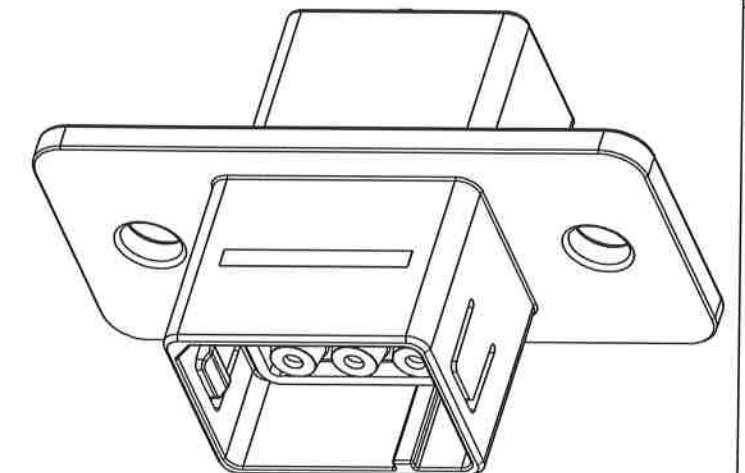
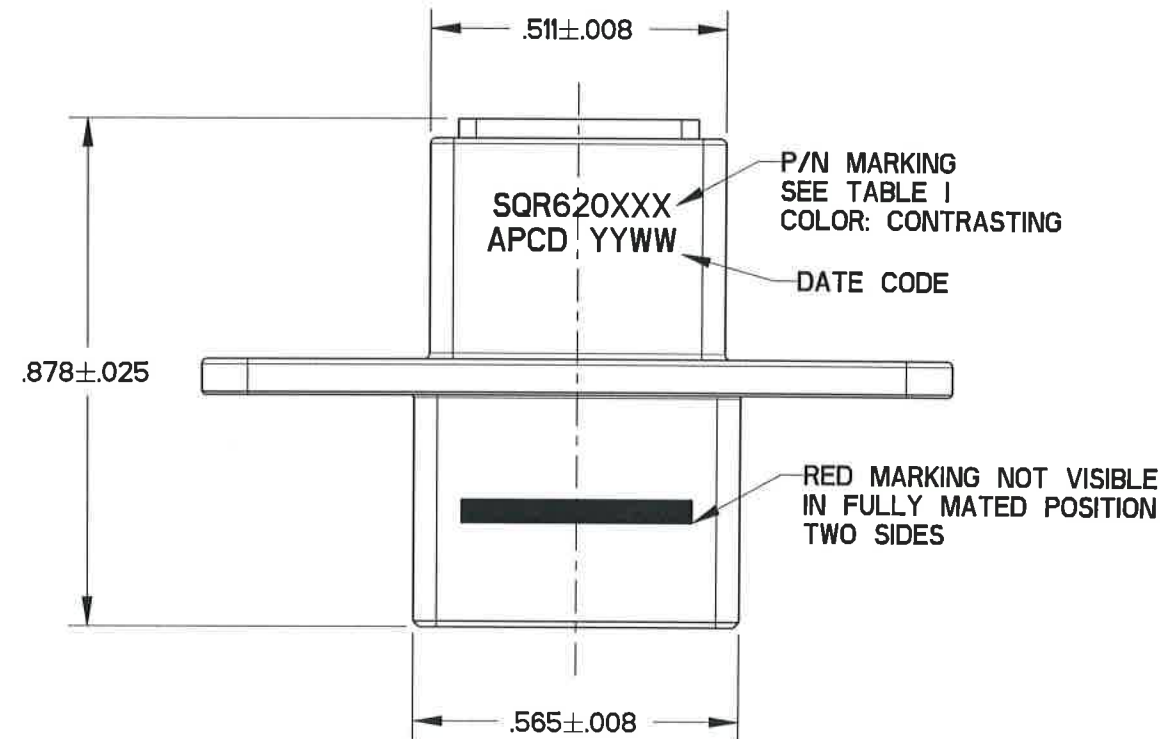
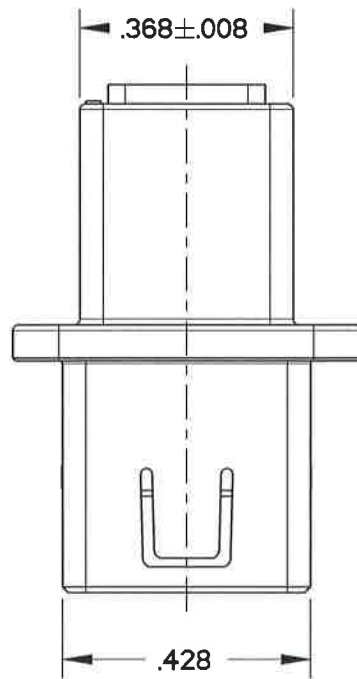
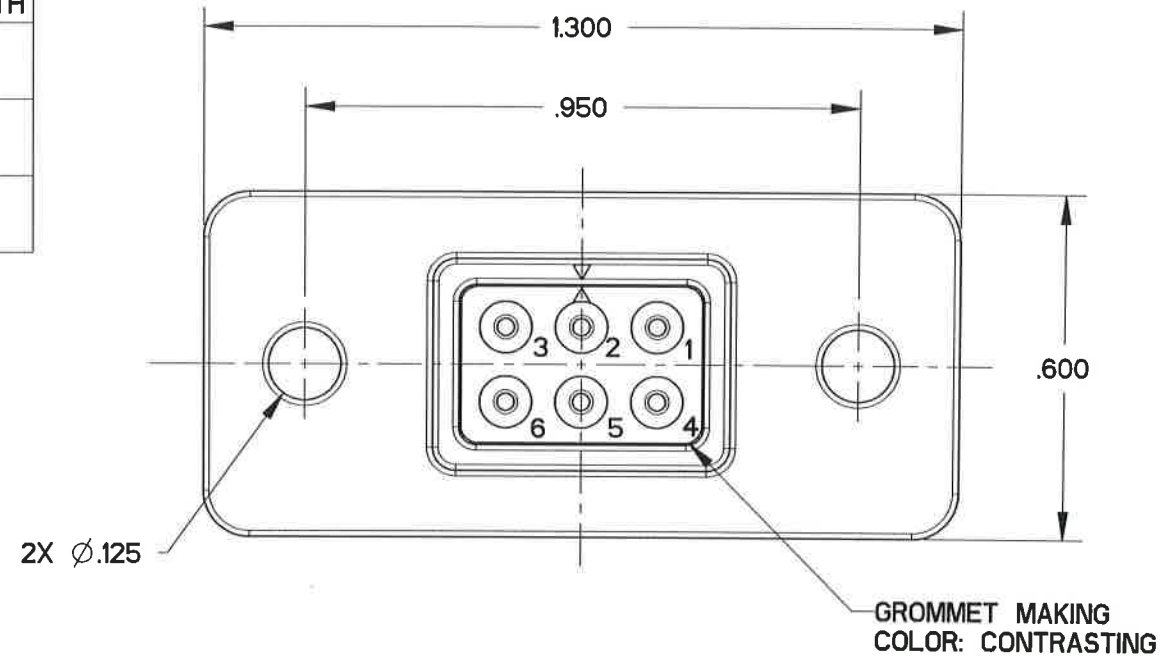


SQR620700

| REV | ECN  | APP'D        |
|-----|------|--------------|
| -   | 8175 | WLC 11/10/17 |

TABLE I - PART NUMBER SCHEME

| APCD P/N  | CONTACTS SUPPLIED | COLOR / KEY | P/N MARKING | PART MATES WITH |
|-----------|-------------------|-------------|-------------|-----------------|
| SQR620721 | (6) M39029/58-363 | WHITE / C   | SQR620720   | SQR620170       |
| SQR620720 | NONE              |             |             |                 |
| SQR620711 | (6) M39029/58-363 | GREEN / B   | SQR620710   | SQR620160       |
| SQR620710 | NONE              |             |             |                 |
| SQR620701 | (6) M39029/58-363 | BLACK / A   | SQR620700   | SQR620150       |
| SQR620700 | NONE              |             |             |                 |



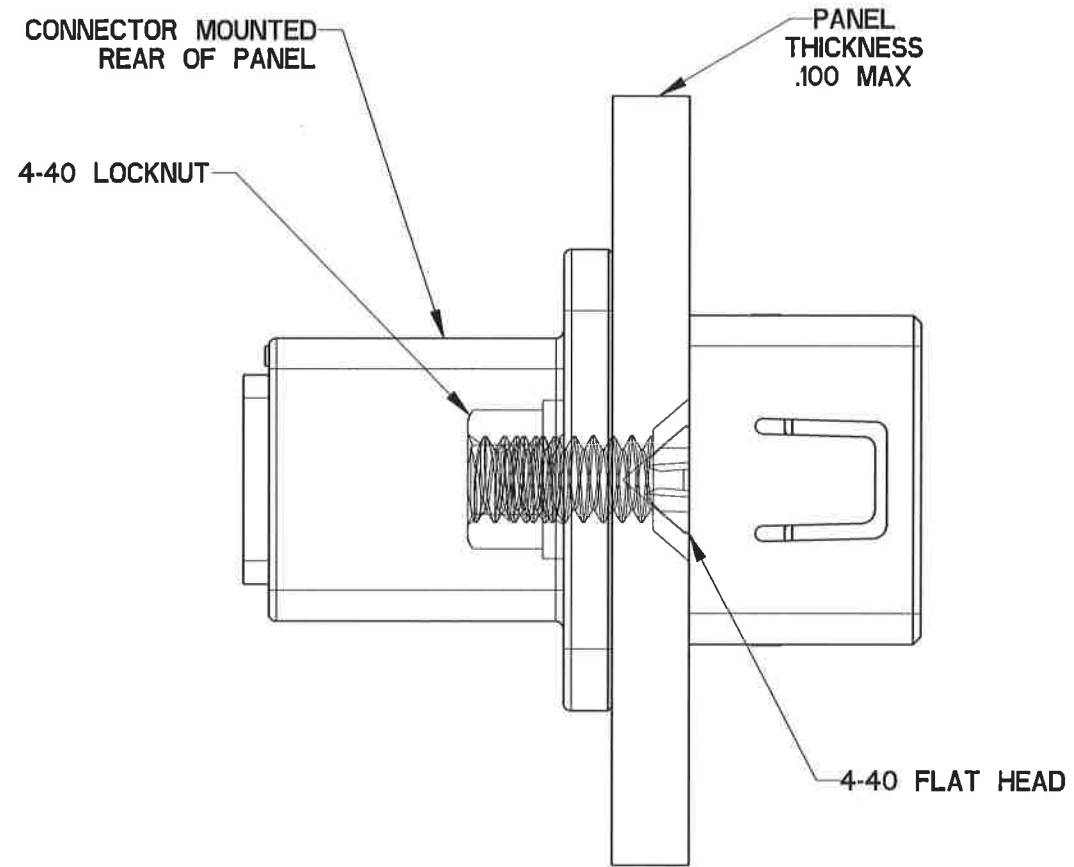
NOTES:

- MATERIALS:  
 OUT HOUSING: POLYETHERIMIDE  
 INNER HOUSING: POLYETHERIMIDE  
 CONTACT RETAINER: STAINLESS STEEL  
 GROMMET & FACE SEAL: SILICONE RUBBER PER A-A-59588
- PART ACCEPTS M39029/58-363 CONTACTS
- WEIGHT: 3.5g

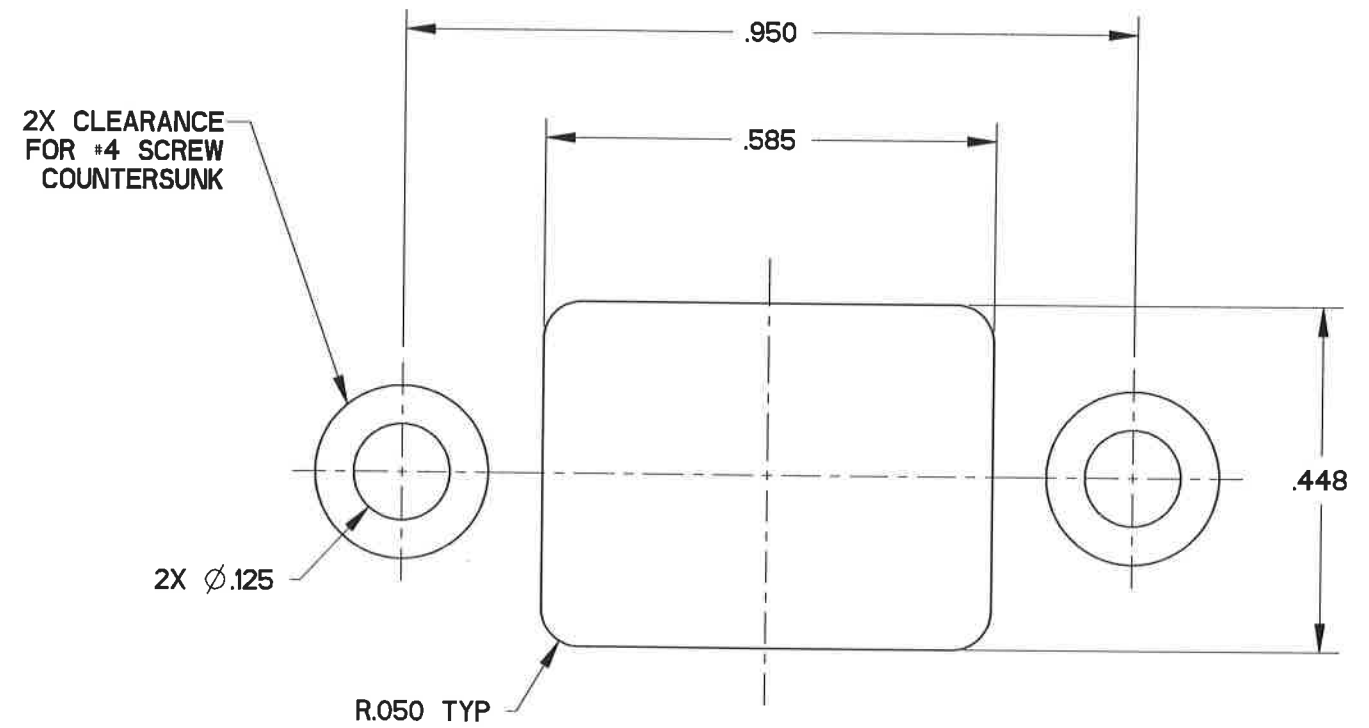
|   |   |                       |  |                  |   |            |              |
|---|---|-----------------------|--|------------------|---|------------|--------------|
| <b>DIMENSIONS</b><br>ANSI Y14.5M<br>UNITS: INCHES<br>Pro/E FILE | <b>TOLERANCES</b><br>.XX ±0.01<br>.XXX ±0.005<br>ANGLES ±2.0°   | <b>PROJECTION</b><br> | <b>Amphenol Pcd</b><br>SPECIFICATION DRAWING |                  | <b>TITLE</b><br>6 POS SIZE 20 RECEPTACLE FLANGE<br>REAR MOUNT WITH PIN CONTACTS<br>SQR SIZE 2 |            |              |
|   |   |                       | ENGR<br>MICKEY ZHANG Jun-29-17               | SIZE<br><b>B</b> | DWG NO.<br><b>SQR620700</b>   | REV<br>-   |              |
| ORIGINAL  | THIS DOCUMENT CONTAINS PROPRIETARY INFORMATION WHICH IS THE CONFIDENTIAL PROPERTY OF AMPHENOL PCD INC., BEVERLY, MA |                       | CHKD<br>11/10/17                             | APPD<br>11/10/17 | CODE: 58982   | SCALE: 8:3 | SHEET 1 OF 2 |

SQR620700

SQR620700



PANEL MOUNTING RECOMMENDATIONS



RECOMMENDED PANEL CUT OUT FOR HARDWARE INSTALLATION

SQR620700

SQR620700

|                  |                             |              |
|------------------|-----------------------------|--------------|
| SIZE<br><b>B</b> | DWG NO.<br><b>SQR620700</b> | REV<br>-     |
| CODE: 58982      | SCALE: 8:3                  | SHEET 2 OF 2 |