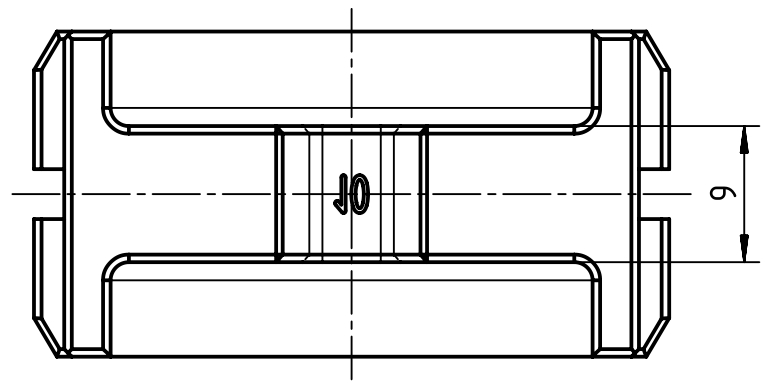
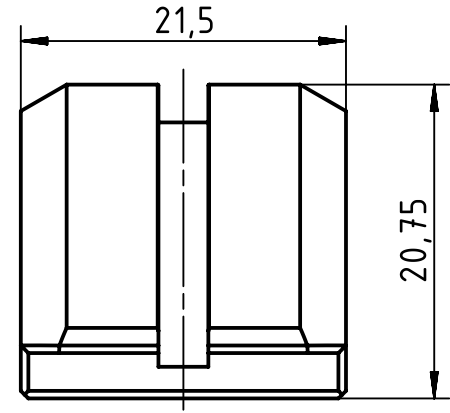


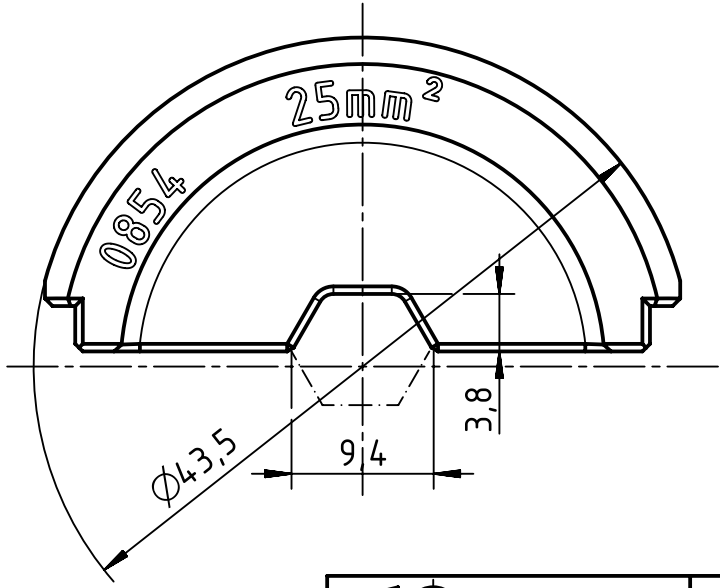
A



B

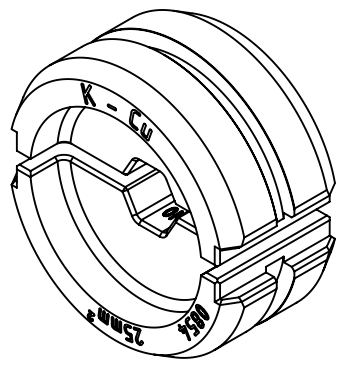



C



Scope of delivery 2 crimp dies

D



	All Dimensions in mm Original Size DIN A4		Scale 2:1		Free size tol.		Ref.			
	All rights reserved Department EL PD - DE		Created by HOLLERT		Inspected by RIEPE		Standardisation RUETERA			
HARTING Electric GmbH & Co. KG D-32339 Espelkamp		Title Crimp die 25mm <sup>2</sup> for 60 kN tool					Date 2017-05-15		State Final Release	
		Type TB					Number 09 99 000 0854		Doc-Key / ECM-Nr. 100572322/UGD/002/C 500000119344	
							Rev. C		Page 1/1	