

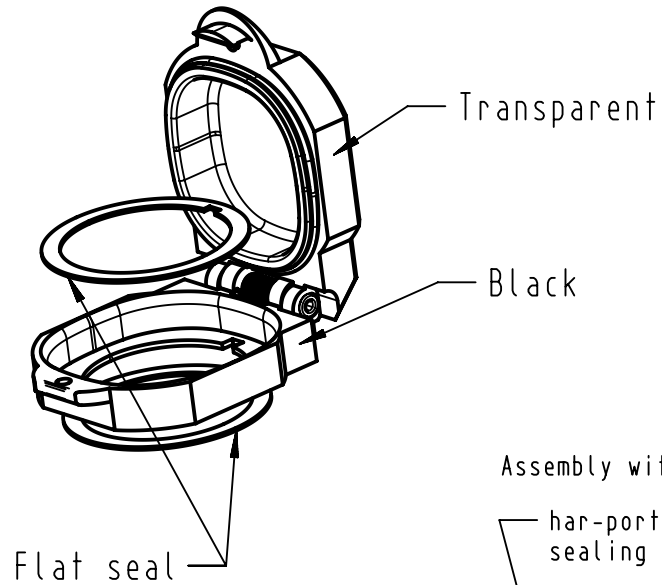
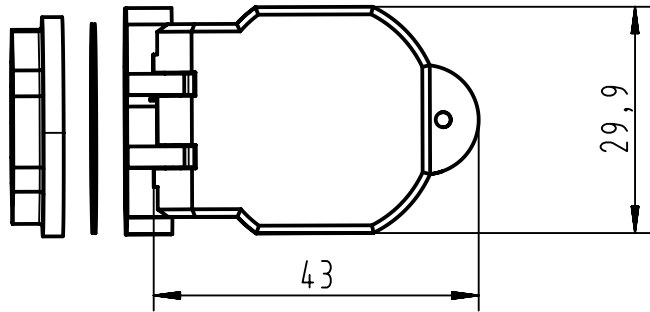
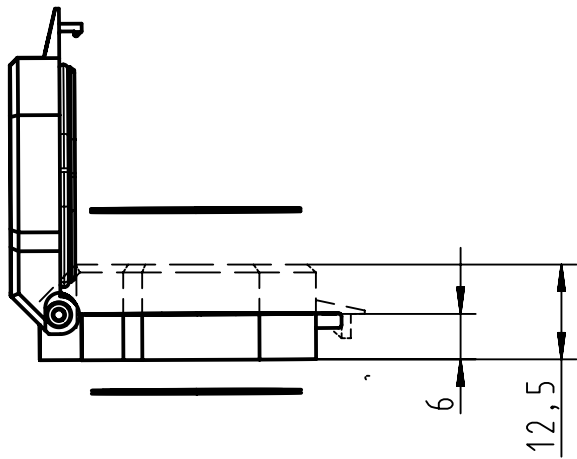
1 2 3 4 5 6

A

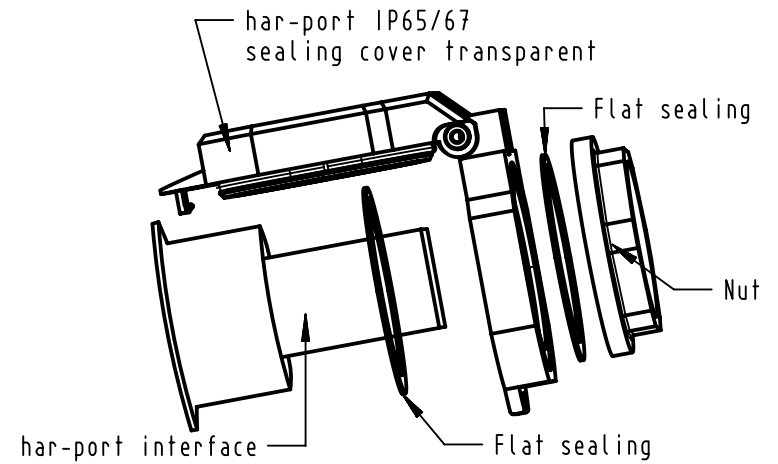
B


C

D



Assembly with har-port interfaces



	All rights reserved Department EC PD - FR	All Dimensions in mm Original Size DIN A4		Scale 1:1	Free size tol.	Ref.	
		HARTING Electronics GmbH D-32339 Espelkamp	Created by DOUGE	Inspected by BAGDIKIAN	Standardisation HOFFMANN	Date 2012-11-07	State Final Release
		Title har-port sealing cover transparent				Doc-Key / ECM-Nr. 100510108/UGD/001/A 500000054359	
		Type TB	Number 09455020005			Rev. A	Page 1/1